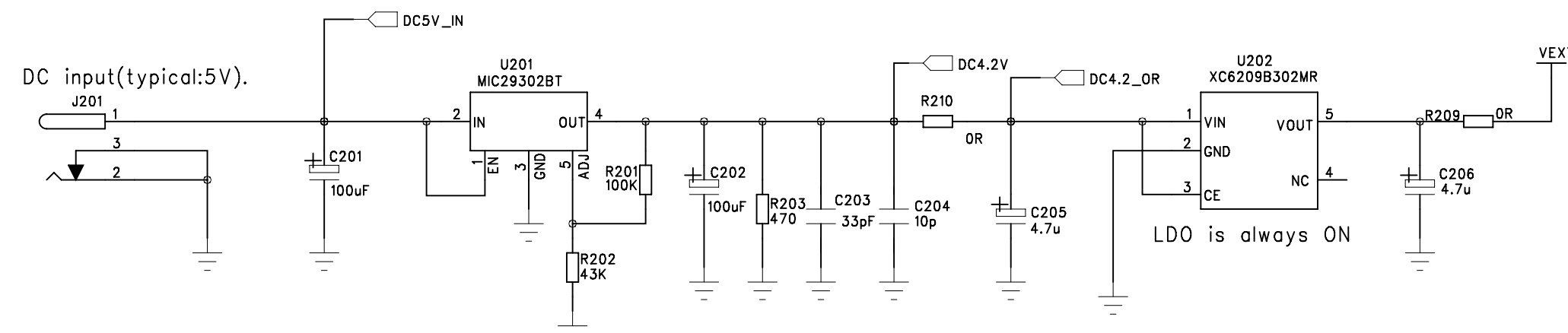
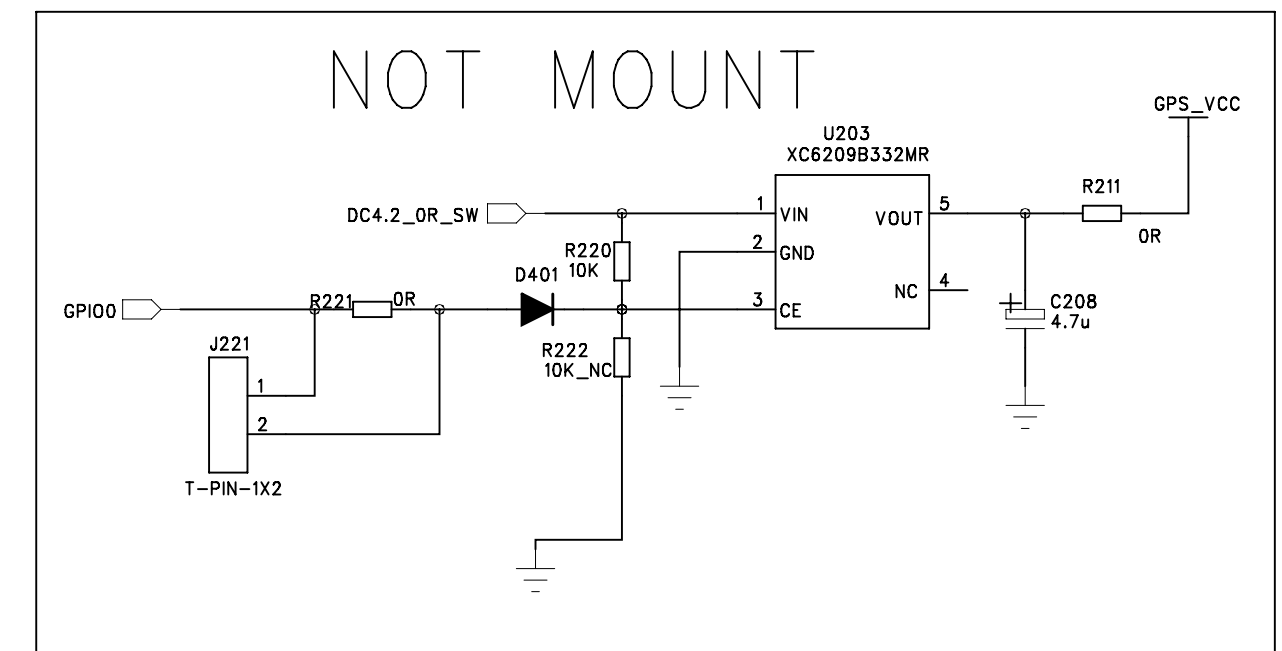


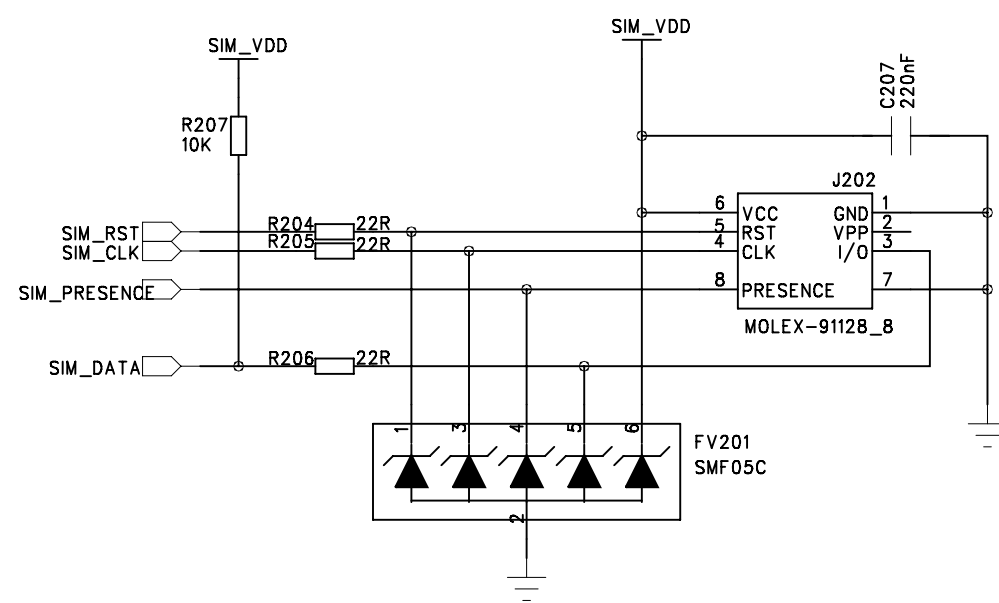
SIM Technology		
DRAWN BY <NAME HERE>	PROJECT <PROJECT NAME HERE>	TITLE <TITLE NAME HERE>
CHECKED BY <NAME HERE>	SIZE A2	VER <NO>
SHEET No of No		<DATE HERE>



Adjust VBAT by the resistors.

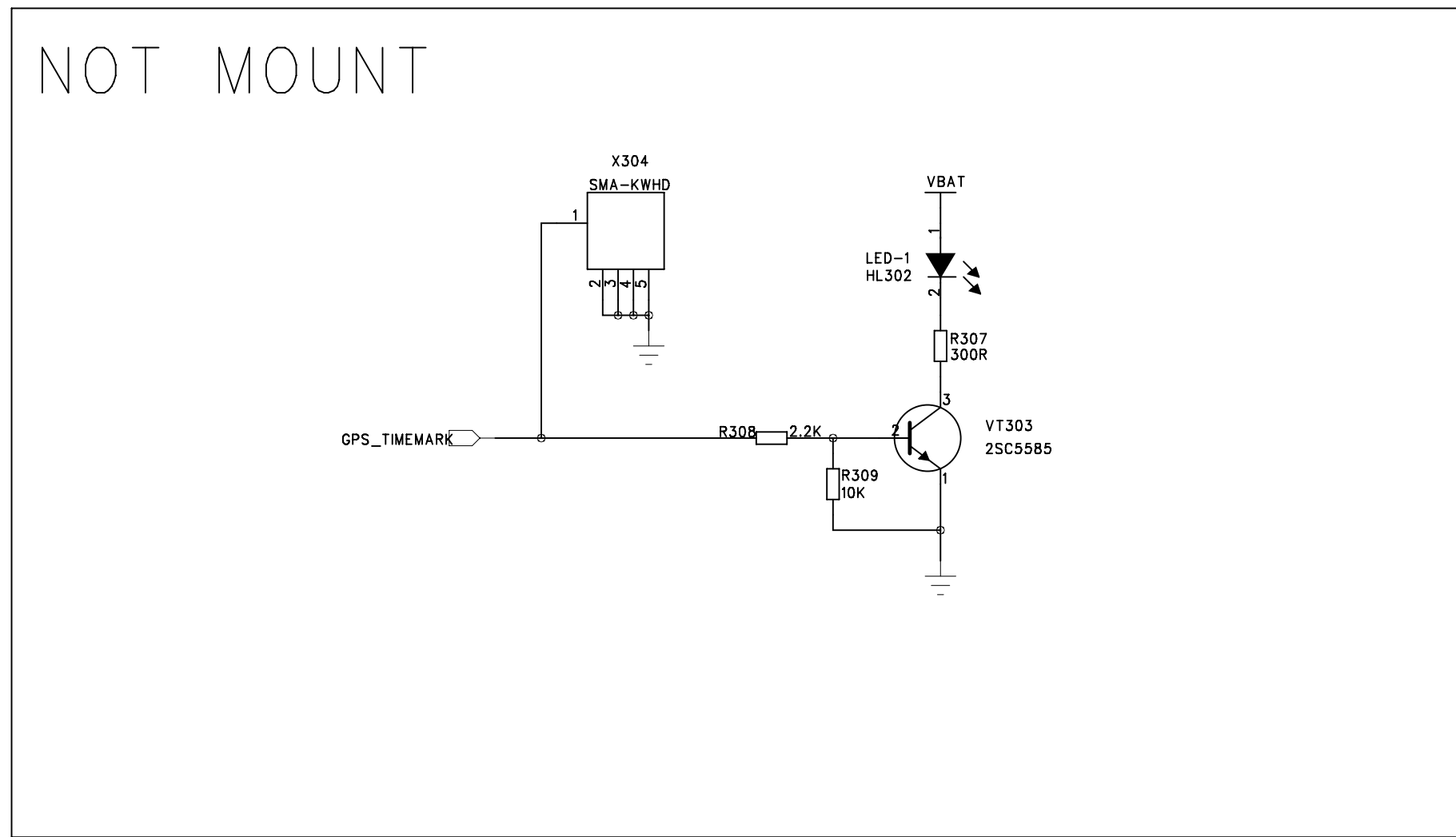
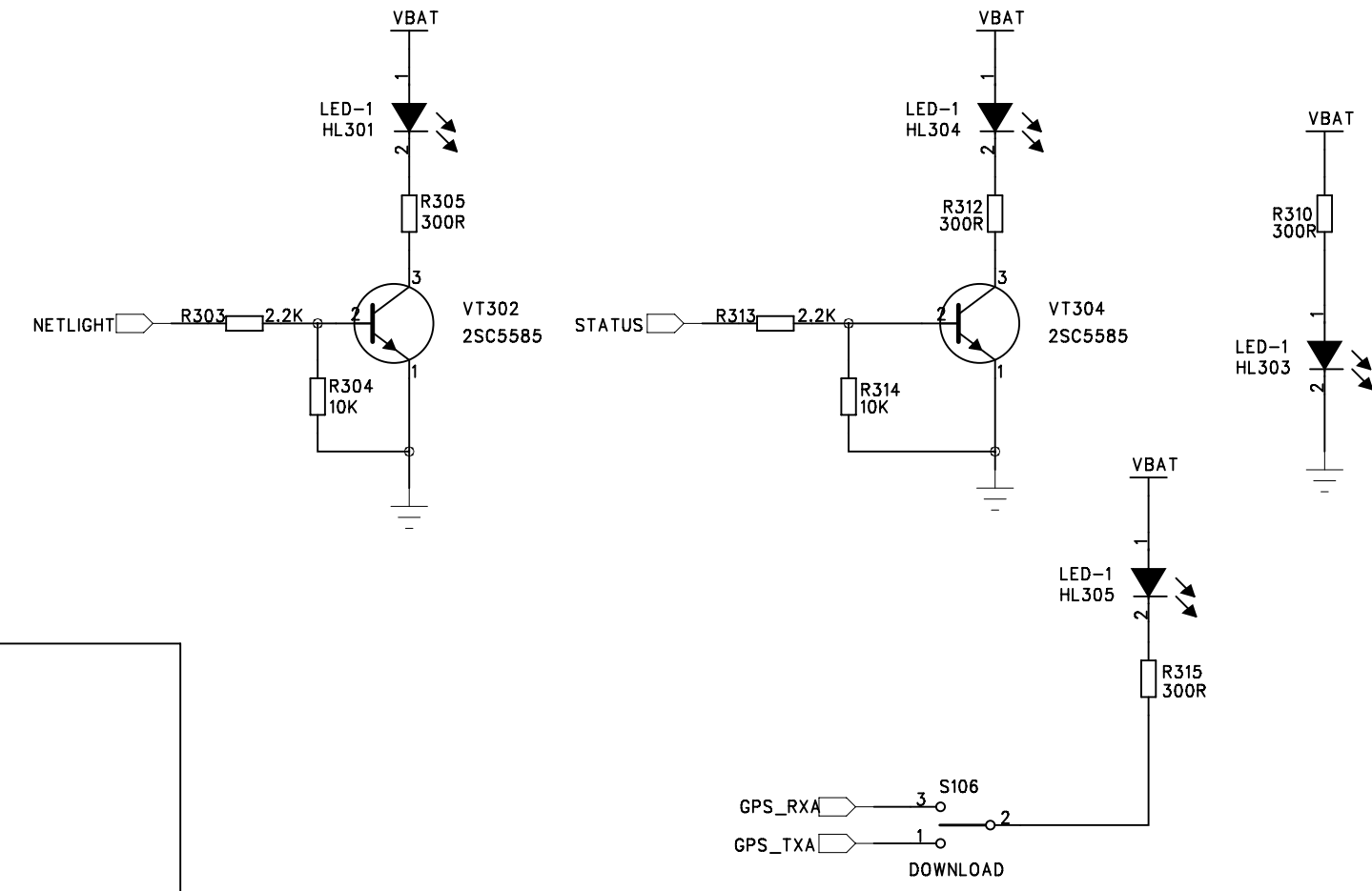
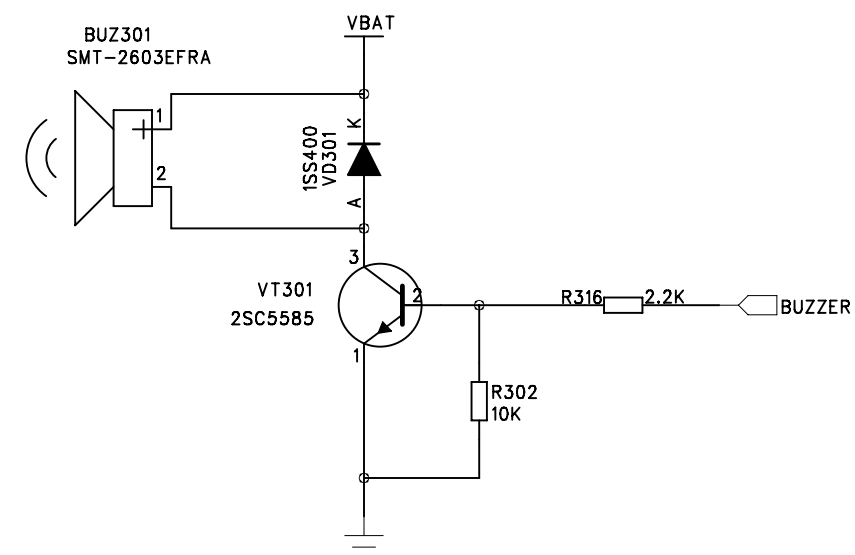
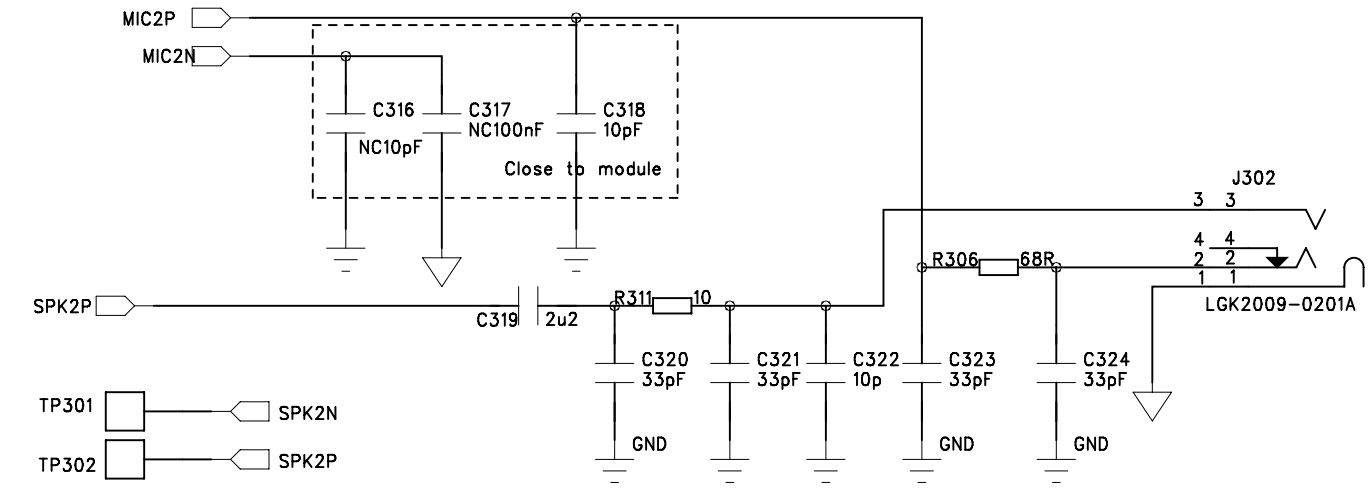
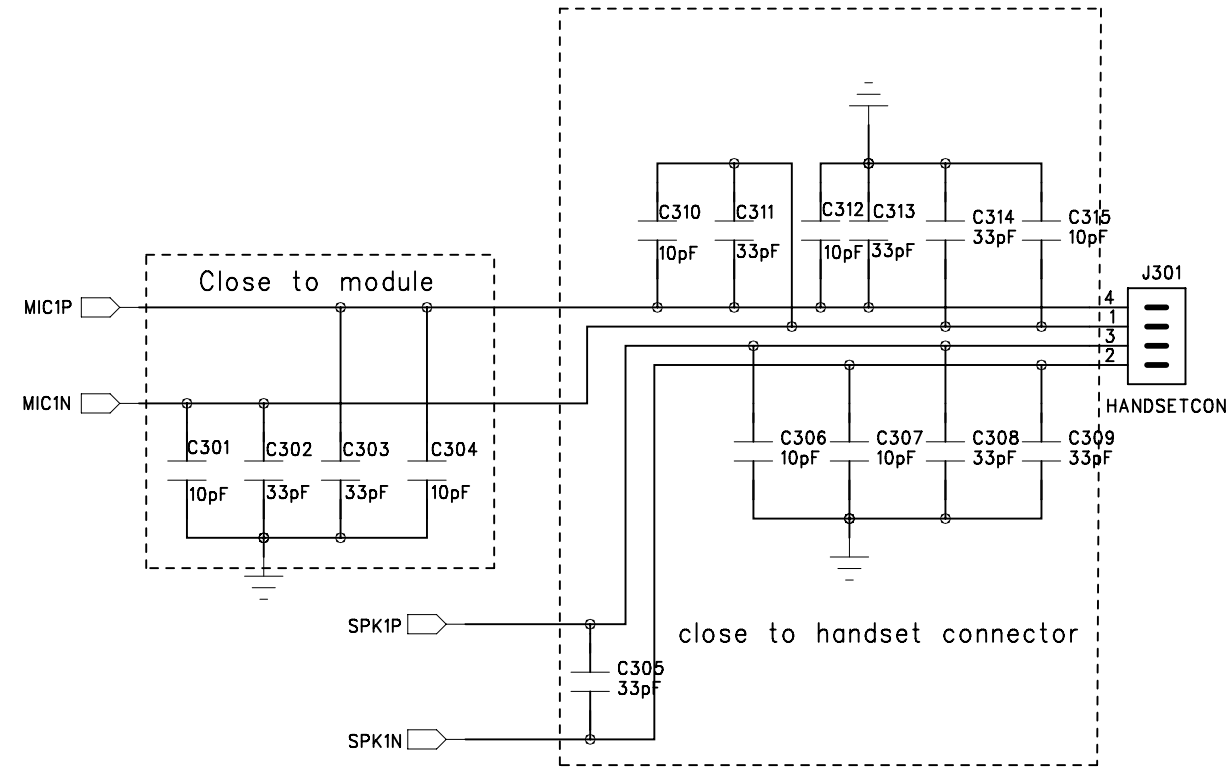


- 1.The value of VBAT is 4.2V
- 2.The value of VEXT is 3.0V
- 3.The value of GPS\_VCC is 3.3V

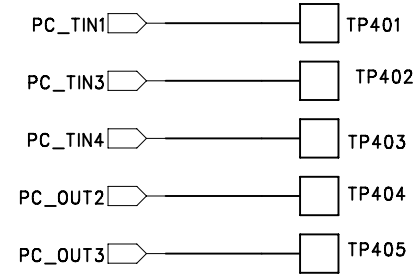
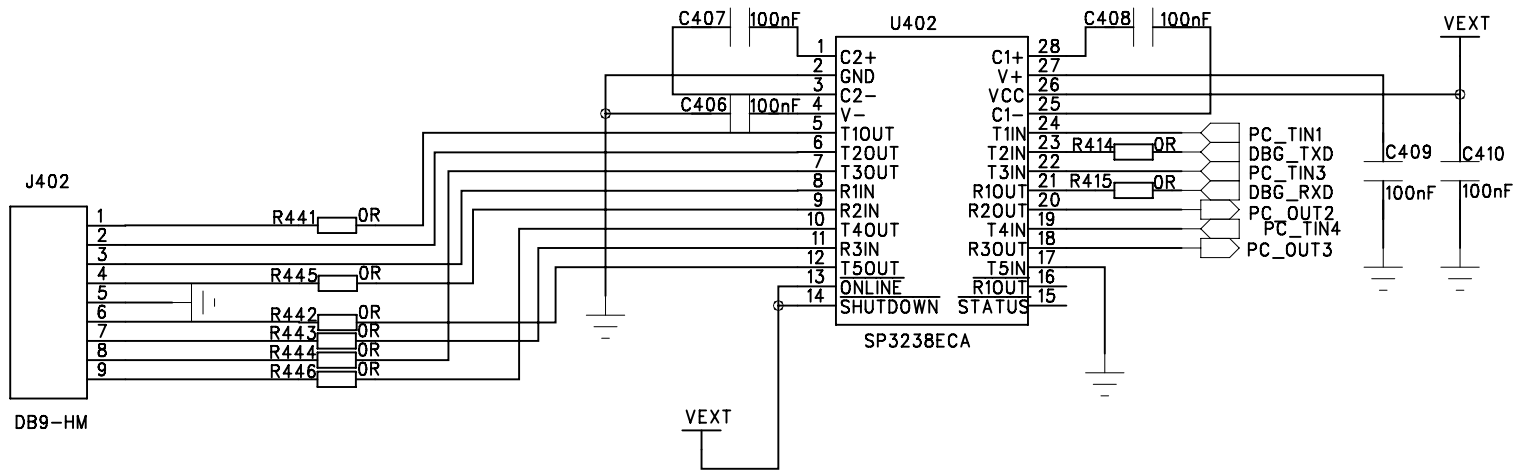
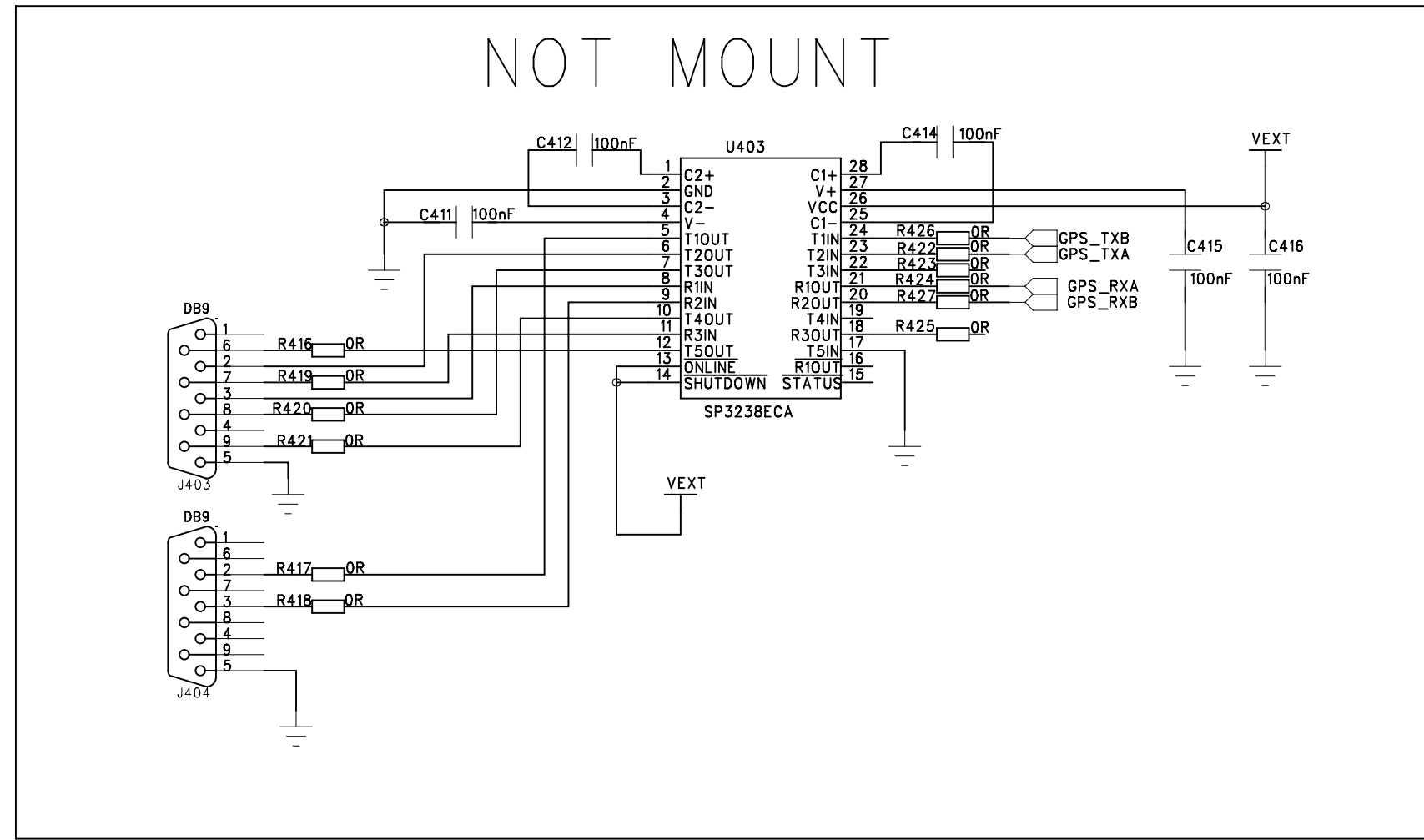
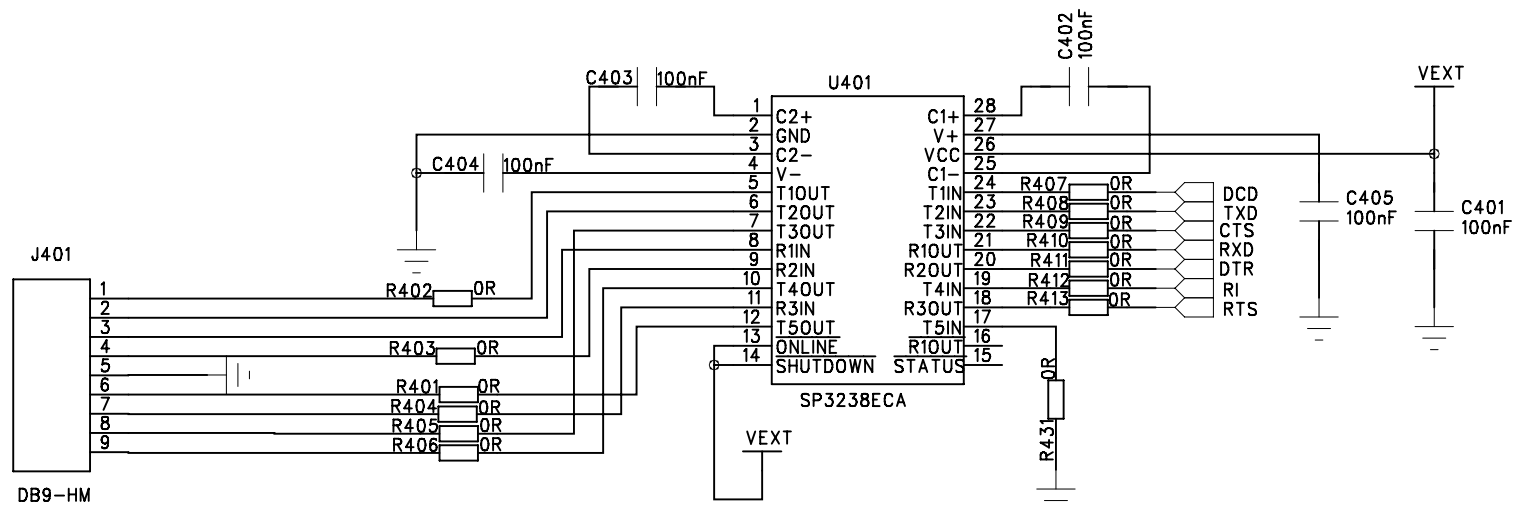


# SIM Technology

DRAWN BY <NAME HERE>	PROJECT <PROJECT NAME HERE>	TITLE <TITLE NAME HERE>
CHECKED BY <NAME HERE>	SIZE A2	VER <NO>
SHEET No of No		<DATE HERE>



SIM Technology		
DRAWN BY <NAME HERE>	PORJECT <PROJECT NAME HERE>	TITLE <TITLE NAME HERE>
CHECKED BY <NAME HERE>	SIZE A2	VER <NO>
SHEET No of No		<DATE HERE>



SIM Technology		
DRAWN BY <NAME HERE>	PROJECT <PROJECT NAME HERE>	TITLE <TITLE NAME HERE>
CHECKED BY <NAME HERE>	SIZE A2	VER <NO>
SHEET No of No		<DATE HERE>