
Using the STM32 hardware real-time clock (RTC)

Introduction

A real-time clock (RTC) is a computer clock that keeps track of the current time. Although RTCs are often used in personal computers, servers and embedded systems, they are also present in almost any electronic device that requires accurate time keeping. Microcontrollers supporting RTC can be used for chronometers, alarm clocks, watches, small electronic agendas, and many other devices.

This application note describes the features of the real-time clock (RTC) controller embedded in **Ultra Low Power Medium-density** and **F2 and F4 series** devices microcontrollers, and the steps required to configure the RTC for use with the calendar, alarm, periodic wakeup unit tamper detection and timestamp and calibration applications.

Examples are provided with configuration information to enable you to quickly and correctly configure the RTC for calendar, alarm, periodic wakeup unit, tamper detection, time stamp and calibration applications.

- Note:*
- 1 *All examples and explanations are based on the STM32L1xx, STM32F2xx and STM32F4xx firmware libraries and reference manuals of STM32L1xx (RM0038), STM32F2xx (RM0033) and STM32F4xx (RM0090).*
 - 2 *STM32 refers to Ultra Low Power Medium-density, F-2 series and F-4 series devices in this document.*
 - 3 *Ultra Low Power Medium (ULPM) density devices are STM32L151xx and STM32L152xx microcontrollers where the Flash memory density ranges between 64 and 128 Kbytes.*
 - 4 *F2 series devices are STM32F205xx, STM32F207xx, STM32F215xx and STM32F217xx microcontrollers.*
 - 5 *F4 series are STM32F405xx, STM32F407xx, STM32F415xx and STM32F417xx microcontrollers.*

Contents

- 1 Overview of the STM32 advanced RTC 4**
- 1.1 RTC calendar 4
 - 1.1.1 Initializing the calendar 5
 - 1.1.2 RTC Clock Configuration 6
- 1.2 RTC alarms 8
 - 1.2.1 RTC Alarm configuration 8
 - 1.2.2 Alarm sub-second configuration 10
- 1.3 RTC periodic wakeup unit 12
 - 1.3.1 Programming the Auto-wakeup unit 12
 - 1.3.2 Maximum and minimum RTC wakeup period 13
- 1.4 RTC digital calibration 15
 - 1.4.1 RTC coarse calibration 15
 - 1.4.2 RTC smooth calibration 16
- 1.5 Synchronizing the RTC 17
- 1.6 RTC reference clock detection 18
- 1.7 Time-stamp function 19
- 1.8 RTC tamper detection function 20
 - 1.8.1 Edge detection on tamper input 20
 - 1.8.2 Level detection on tamper input 21
 - 1.8.3 Active time-stamp on tamper detection event 23
- 1.9 Back up registers 23
- 1.10 RTC and low-power modes 23
- 1.11 Alternate function RTC outputs 24
 - 1.11.1 RTC_CALIB output 24
 - 1.11.2 RTC_ALARM output 26
- 1.12 RTC security aspects 27
 - 1.12.1 RTC Register write protection 27
 - 1.12.2 Enter/Exit initialization mode 27
 - 1.12.3 RTC clock synchronization 28
- 2 Advanced RTC features 29**
- 3 RTC firmware driver API 31**

3.1	Start with RTC driver	31
3.1.1	Time and Date configuration	32
3.1.2	Alarm configuration	32
3.1.3	RTC Wakeup configuration	32
3.1.4	Outputs configuration	32
3.1.5	Digital calibration configuration	32
3.1.6	TimeStamp configuration	33
3.1.7	Tamper configuration	33
3.1.8	Backup data registers configuration	33
3.2	Function groups and description	34
4	Application examples	39
5	Revision history	41

1 Overview of the STM32 advanced RTC

The real-time clock (RTC) embedded in STM32 microcontrollers acts as an independent BCD timer/ counter. The RTC can be used to provide a full-featured calendar, alarm, periodic wakeup unit, digital calibration, synchronization, time stamp, and advanced tamper detection.

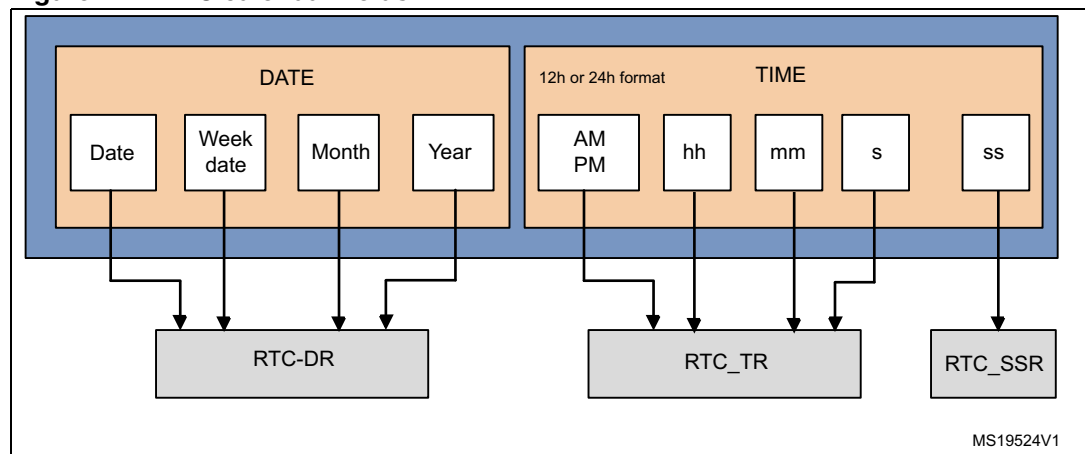
Refer to [Table 14: Advanced RTC features](#) for the complete list of features available on each device.

1.1 RTC calendar

A calendar keeps track of the time (hours, minutes and seconds) and date (day, week, month, year). The STM32 RTC calendar offers several features to easily configure and display the calendar data fields:

- Calendar with:
 - sub-seconds (not programmable)
 - seconds
 - minutes
 - hours in 12-hour or 24-hour format
 - day of the week (day)
 - day of the month (date)
 - month
 - year
- Calendar in binary-coded decimal (BCD) format
- Automatic management of 28-, 29- (leap year), 30-, and 31-day months
- Daylight saving time adjustment programmable by software

Figure 1. RTC calendar fields



1. RCT_DR, RTC_TR are RTC Date and Time registers.
2. The sub-second field is the value of the synchronous prescaler's counter. This field is not writable.

A software calendar can be a software counter (usually 32 bits long) that represents the number of seconds. Software routines convert the counter value to hours, minutes, day of

the month, day of the week, month and year. This data can be converted to BCD format and displayed on a standard LCD, which is useful in countries that use the 12-hour format with an AM/PM indicator (see [Figure 2](#)). Conversion routines use significant program memory space and are CPU-time consuming, which may be critical in certain real-time applications.

When using the STM32 RTC calendar, software conversion routines are no longer needed because their functions are performed by hardware.

STM32 RTC calendar is provided in BCD format. This avoids binary to BCD software conversion routines, which use significant program memory space and a CPU-load that may be critical in certain real-time applications.

Figure 2. Example of calendar display on an LCD

<div style="border: 1px solid black; padding: 10px; width: fit-content; margin: auto;"> <p>11:15:28:09 PM</p> <p>WED OCT 26 2011</p> </div>

1.1.1 Initializing the calendar

[Table 1](#) describes the steps required to correctly configure the calendar time and date.

Table 1. Steps to initialize the calendar

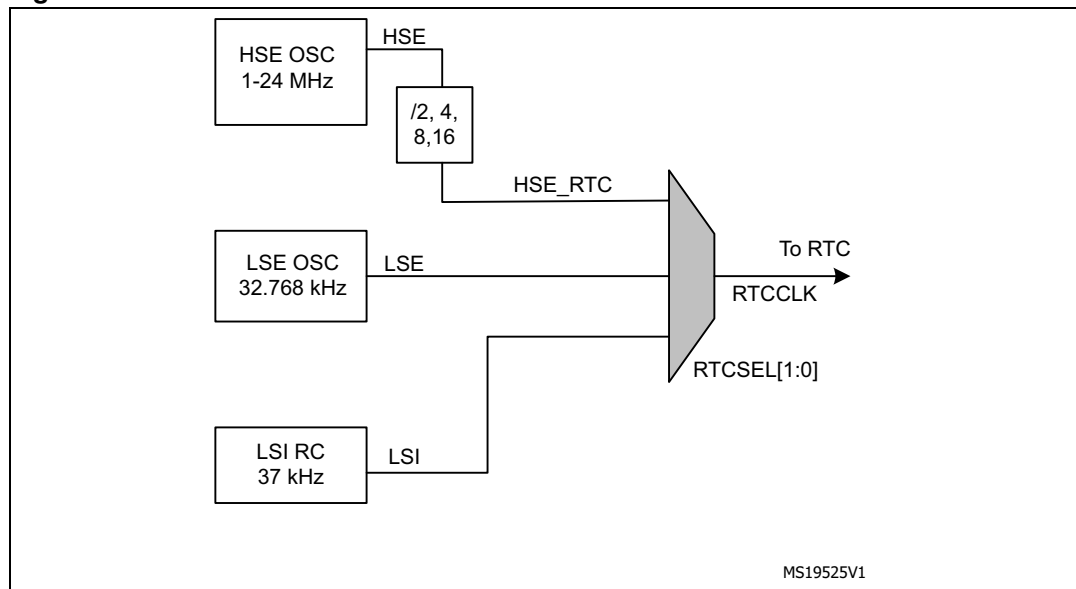
Step	What to do	How to do it	Comments
1	Disable the RTC registers Write protection	Write "0xCA" and then "0x53" into the RTC_WPR register	RTC registers can be modified
2	Enter Initialization mode	Set INIT bit to '1' in RTC_ISR register	The calendar counter is stopped to allow update
3	Wait for the confirmation of Initialization mode (clock synchronization)	Poll INITF bit of in RTC_ISR until it is set	It takes approximately 2 RTCCLK clock cycles for medium density devices
4	Program the prescalers register if needed	Register RTC_PREER: Write first the synchronous value and then write the asynchronous	By default, the prescalers register RTC_PREER is initialized to provide 1Hz to the Calendar unit when RTCCLK = 32768Hz
5	Load time and date values in the shadow registers	Set RTC_TR and RTC_DR registers	
6	Configure the time format (12h or 24h)	Set FMT bit in RTC_CR register	FMT = 0: 24 hour/day format FMT = 1: AM/PM hour format
7	Exit Initialization mode	Clear the INIT bit in RTC_ISR register	The current calendar counter is automatically loaded and the counting restarts after 4 RTCCLK clock cycles
8	Enable the RTC Registers Write Protection	Write "0xFF" into the RTC_WPR register	RTC Registers can no longer be modified

1.1.2 RTC Clock Configuration

RTC Clock source

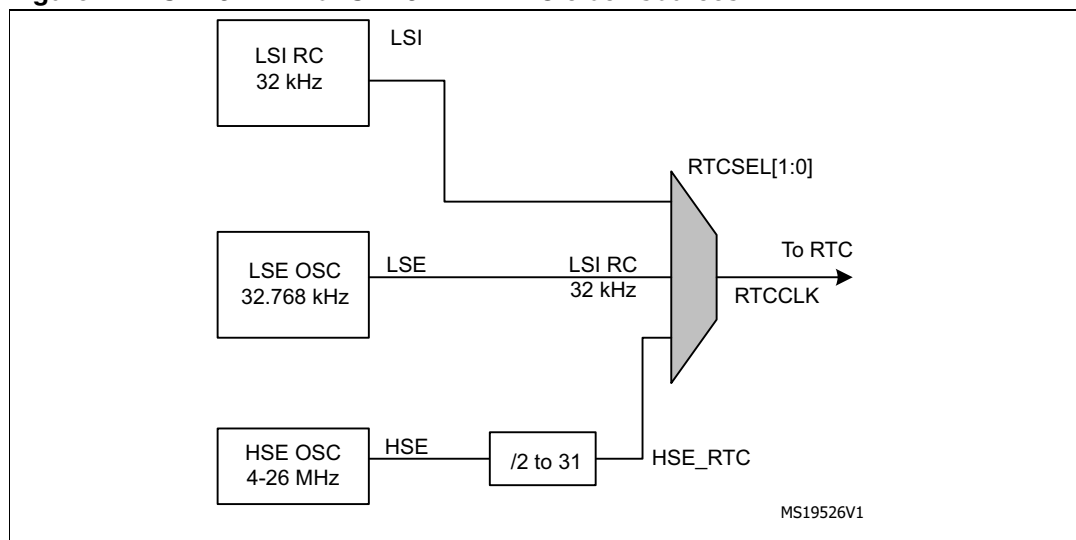
The RTC calendar can be driven by three clock sources LSE, LSI or HSE (see [Figure 3](#) and [Figure 4](#)).

Figure 3. STM32L1xx RTC clock sources



Note: RTCSEL[1:0] bits are the RCC Control/status register (RCC_CSR) [17:16] bits

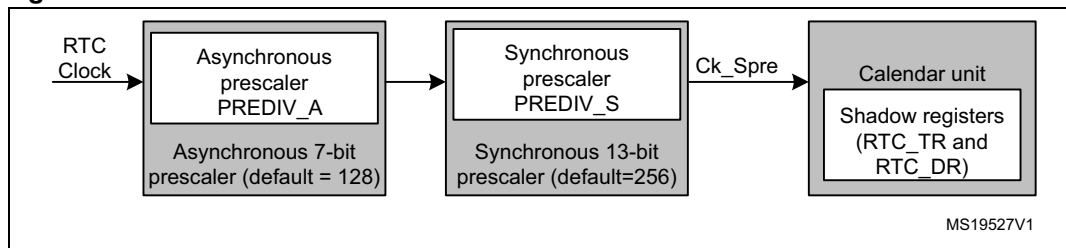
Figure 4. STM32F2xx or STM32F4xx RTC clock sources



How to adjust the RTC calendar clock

The RTC features several prescalers that allow delivering a 1 Hz clock to calendar unit, regardless of the clock source.

Figure 5. Prescalers from RTC clock source to calendar unit



Note: The length of the synchronous prescaler depends on the product. For this section, it is represented on 13 bits.

The formula to calculate ck_spre is:

$$ck_spre = \frac{RTCCLK}{(PREDIV_A + 1) \times (PREDIV_S + 1)}$$

where:

- RTCCLK can be any clock source: HSE_RTC, LSE or LSI
- PREDIV_A can be 1,2,3,..., or 127
- PREDIV_S can be 0,1,2,..., or 8191

Table 2 shows several ways to obtain the calendar clock (ck_spre) = 1 Hz.

Table 2. Calendar clock equal to 1 Hz with different clock sources

RTCCLK Clock source	Prescalers		ck_spre
	PREDIV_A[6:0]	PREDIV_S[12:0]	
HSE_RTC = 1MHz	124 (div125)	7999 (div8000)	1 Hz
LSE = 32.768 kHz	127 (div128)	255 (div256)	1 Hz
LSI = 32 kHz ⁽¹⁾	127 (div128)	249 (div250)	1 Hz
LSI = 37 kHz ⁽²⁾	124 (div125)	295 (div296)	1 Hz

1. For STM32L1xx, LSI = 37 KHz, but LSI accuracy is not suitable for calendar application.
 2. For STM32F2xx and STM32F4xx, LSI = 32 KHz, but LSI accuracy is not suitable for calendar application.

1.2 RTC alarms

1.2.1 RTC Alarm configuration

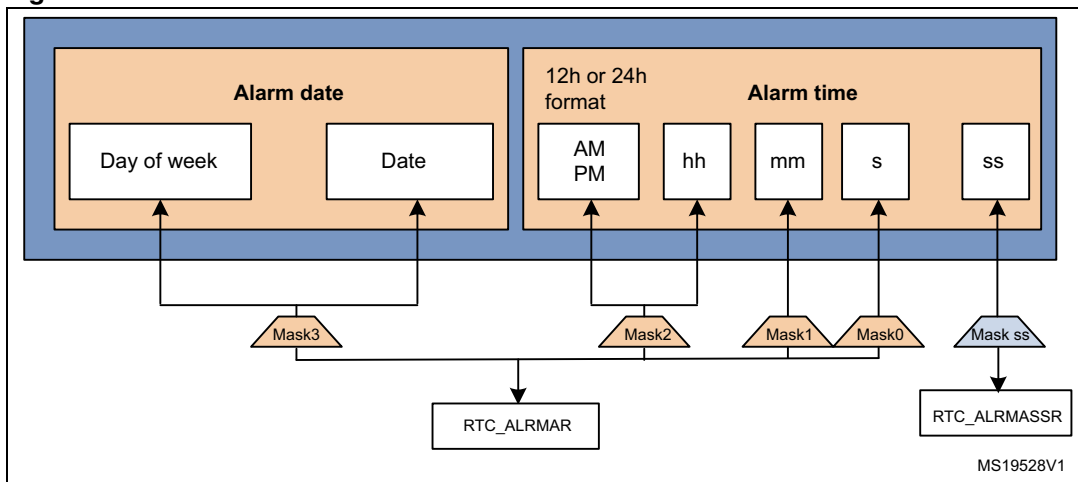
STM32 RTC embeds two alarms, Alarm A and Alarm B, which are similar. An alarm can be generated at a given time or/and date programmed by the user.

The STM32 RTC provides a rich combination of alarms settings, and offers many features to make it easy to configure and display these alarms settings.

Each alarm unit provides the following features:

- Fully programmable alarm: sub-second (this is discussed later), seconds, minutes, hours and date fields can be independently selected or masked to provide a rich combination of alarms.
- Ability to exit the device from low power modes when the alarm occurs.
- The alarm event can be routed to a specific output pin with configurable polarity.
- Dedicated alarm flags and interrupt.

Figure 6. Alarm A fields



1. RTC_ALRMAR is a RTC register. The same fields are also available for the RTC_ALRMBR register.
2. RT_ARMASRR is RTC register. The same field is also available for the RTC_ALRMBR register.
3. Maskx are bits in the RTC_ALRMAR register that enable/disable the RTC_ALARM fields used for alarm A and calendar comparison. For more details refer to [Table 4](#).
4. Mask ss are bits in the RTC_ALRMASRR register.

An alarm consists of a register with the same length as the RTC time counter. When the RTC time counter reaches the value programmed in the alarm register, a flag is set to indicate that an alarm event occurred.

The STM32 RTC alarm can be configured by hardware to generate different types of alarms. For more details refer to [Table 4](#).

Programming the alarm

[Table 3](#) describes the steps required to configure alarm A.

Table 3. Steps to configure the alarm

Step	What to do	How to do it	Comments
1	Disable the RTC registers Write protection	Write "0xCA" and then "0x53" into the RTC_WPR register	RTC registers can be modified
2	Disable alarm A	Clear ALRAE ⁽¹⁾ bit in RTC_CR register.	
3	Check that the RTC_ALRMAR register can be accessed	Poll ALRAWF ⁽²⁾ bit until it is set in RTC_ISR.	It takes approximately two RTCCLK clock cycles (clock synchronization).
4	Configure the alarm	Configure RTC_ALRMAR ⁽³⁾ register.	The alarm hour format must be the same ⁽⁴⁾ as the RTC Calendar in RTC_ALRMAR.
5	Re-enable alarm A	Set ALRAE ⁽⁵⁾ bit in RTC_CR register.	
6	Enable the RTC registers Write protection	Write "0xFF" into the RTC_WPR register	RTC registers can no longer be modified

1. Respectively ALRBE bit for Alarm B.
2. Respectively ALRBWF bit for Alarm B.
3. Respectively RTC_ALRMBR register for Alarm B.
4. As an example, if the alarm is configured to occur at 3:00:00 PM, the alarm will not occur even if the calendar time is 15:00:00, because the RTC calendar is 24-hour format and the alarm is 12-hour format.
5. Respectively ALRBE bit for Alarm B.
6. RTC Alarm registers can only be written when the corresponding RTC Alarm is disabled or during RTC Initialization mode.

Configuring the alarm behavior using the MSKx bits

The alarm behavior can be configured using the MSKx bits (x = 1, 2, 3, 4) of the RTC_ALRMAR register for alarm A (RTC_ALRMBR register for alarm B).

Table 4 shows all the possible alarm settings. As an example, to configure the alarm time to 23:15:07 on Monday (assuming that the WDSEL = 1), MSKx bits must be set to 0000b. When the WDSEL = 0, all cases are similar with the exception that the Alarm Mask field compares with day number and not the day of the week, and MSKx bits must be set to 0000b.

Table 4. Alarm combinations

MSK3	MSK2	MSK1	MSK0	Alarm behavior
0	0	0	0	All fields are used in alarm comparison: Alarm occurs at 23:15:07, each Monday.
0	0	0	1	Seconds do not matter in alarm comparison The alarm occurs every second of 23:15, each Monday.
0	0	1	0	Minutes do not matter in alarm comparison The alarm occurs at the 7th second of every minute of 23:XX, each Monday.
0	0	1	1	Minutes and seconds do not matter in alarm comparison
0	1	0	0	Hours do not matter in alarm comparison

Table 4. Alarm combinations (continued)

MSK3	MSK2	MSK1	MSK0	Alarm behavior
0	1	0	1	Hours and seconds do not matter in alarm comparison
0	1	1	0	Hours and minutes do not matter in alarm comparison
0	1	1	1	Hours, minutes and seconds do not matter in alarm comparison The alarm is set every second, each Monday, during the whole day.
1	0	0	0	Week day (or date, if selected) do not matter in alarm comparison Alarm occurs all days at 23:15:07.
1	0	0	1	Week day and seconds do not matter in alarm comparison
1	0	1	0	Week day and minutes do not matter in alarm comparison
1	0	1	1	Week day, minutes and seconds do not matter in alarm comparison
1	1	0	0	Week day and Hours do not matter in alarm comparison
1	1	0	1	Week day, Hours and seconds do not matter in alarm comparison
1	1	1	0	Week day, Hours and minutes do not matter in alarm comparison
1	1	1	1	Alarm occurs every second

Caution: If the seconds field is selected (MSK0 bit reset in RTC_ALRMAR or RTC_ALRMBR), the synchronous prescaler division factor PREDIV_S set in the RTC_PRER register must be at least 3 to ensure correct behavior.

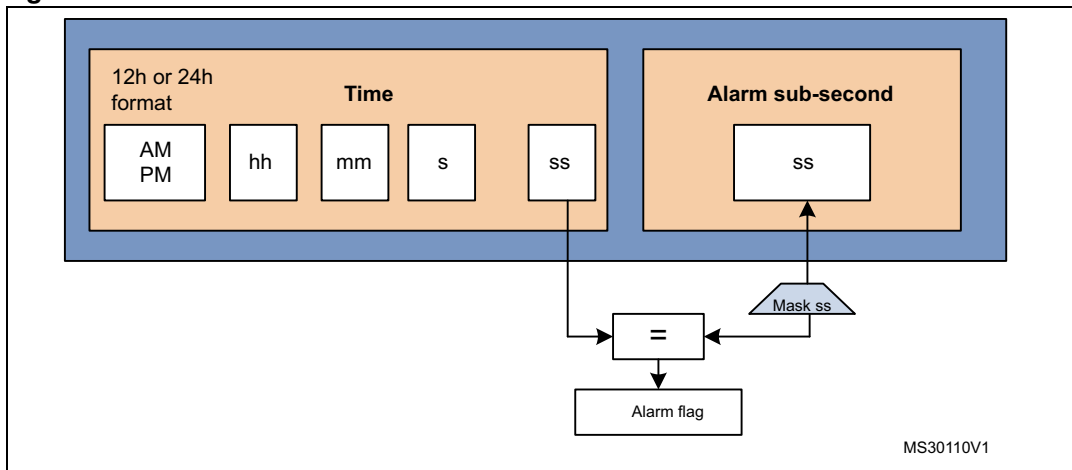
1.2.2 Alarm sub-second configuration

The STM32 RTC unit provides programmable alarms, sub-second A and B, which are similar. They generate alarms with a high resolution (for the second division).

The value programed in the Alarm sub-second register is compared to the content of the sub-second field in the calendar unit.

The sub-second field counter counts down from the value configured in the synchronous prescaler to zero and then reloads a value in the RTC_SPRE register.

Figure 7. Alarm sub-second field



Note: The Mask ss is the most significant bit in the sub-second alarm. These are compared to the synchronous prescaler register.

The Alarm sub-second can be configured using the mask ss bits in the alarm sub-second register. [Table 5: Alarm sub-second mask combinations](#) shows the configuration possibilities for the mask register and provides an example with the following settings:

- Select LSE as RTC clock source (for example LSE = 32768 Hz).
- Set the Asynchronous prescaler to 127.
- Set the Synchronous prescaler to 255 (the Calendar clock is equal to 1Hz).
- Set the alarm A sub-second to 255 (put 255 in the SS[14:0] field).

Table 5. Alarm sub-second mask combinations

MASKSS	Alarm A sub-second behavior	Example result
0	There is no comparison on sub-second for alarm. The alarm is activated when the second unit is incremented.	The alarm is activated every 1 second
1	Only the AlarmA_SS[0] bit is compared to the RTC sub-second register RTC_SSR	The alarm is activated every (1/128) s
2	Only the AlarmA_SS[1:0] bit is compared to the RTC sub-second register RTC_SSR	The alarm is activated every (1/64) s
3	Only the AlarmA_SS[2:0] bit is compared to the RTC sub-second register RTC_SSR	The alarm is activated every (1/32) s
4	Only the AlarmA_SS[3:0] bit is compared to the RTC sub-second register RTC_SSR	The alarm is activated every (1/16) s
5	Only the AlarmA_SS[4:0] bit is compared to the RTC sub-second register RTC_SSR	The alarm is activated every 125 ms
6	Only the AlarmA_SS[5:0] bit is compared to the RTC sub-second register RTC_SSR	The alarm is activated every 250 ms
7	Only the AlarmA_SS[6:0] bit is compared to the RTC sub-second register RTC_SSR	The alarm is activated every 500 ms
8	Only the AlarmA_SS[7:0] bit is compared to the RTC sub-second register RTC_SSR	The alarm is activated every 1 s
9	Only the AlarmA_SS[8:0] bit is compared to the RTC sub-second register RTC_SSR	The alarm is activated every 1 s
10	Only the AlarmA_SS[9:0] bit is compared to the RTC sub-second register RTC_SSR	The alarm is activated every 1 s
11	Only the AlarmA_SS[10:0] bit is compared to the RTC sub-second register RTC_SSR	The alarm is activated every 1 s
12	Only the AlarmA_SS[11:0] bit is compared to the RTC sub-second register RTC_SSR	The alarm is activated every 1 s
13	Only the AlarmA_SS[12:0] bit is compared to the RTC sub-second register RTC_SSR	The alarm is activated every 1 s
14	Only the AlarmA_SS[13:0] bit is compared to the RTC sub-second register RTC_SSR	The alarm is activated every 1 s
15	Only the AlarmA_SS[14:0] bit is compared to the RTC sub-second register RTC_SSR	The alarm is activated every 1 s

Note: The overflow bits in the sub-second register bit 15, 16 and 17 are never compared.

1.3 RTC periodic wakeup unit

Like many STMicroelectronics microcontrollers, the STM32 provides several low power modes to reduce power consumption.

The STM32 features a periodic timebase and wakeup unit that can wake up the system when the STM32 operates in low power modes. This unit is a programmable downcounting auto-reload timer. When this counter reaches zero, a flag and an interrupt (if enabled) are generated.

The wakeup unit has the following features:

- Programmable downcounting auto-reload timer.
- Specific flag and interrupt capable of waking up the device from low power modes.
- Wakeup alternate function output which can be routed to RTC_ALARM output (unique pad for Alarm A, Alarm B or Wakeup events) with configurable polarity.
- A full set of prescalers to select the desired waiting period.

1.3.1 Programming the Auto-wakeup unit

[Table 6](#) describes the steps required to configure the Auto-wakeup unit.

Table 6. Steps to configure the Auto wake-up unit

Step	What to do	How to do it	Comments
1	Disable the RTC registers Write protection	Write "0xCA" and then "0x53" into the RTC_WPR register	RTC registers can be modified
2	Disable the wakeup timer.	Clear WUTE bit in RTC_CR register	
3	Ensure access to Wakeup auto-reload counter and bits WUCKSEL[2:0] is allowed.	Poll WUTWF until it is set in RTC_ISR	It takes approximately 2 RTCCLK clock cycles
4	Program the value into the wakeup timer.	Set WUT[15:0] in RTC_WUTR register	See Section 1.3.2: Maximum and minimum RTC wakeup period
5	Select the desired clock source.	Program WUCKSEL[2:0] bits in RTC_CR register	
6	Re-enable the wakeup timer.	Set WUTE bit in RTC_CR register	The wakeup timer restarts downcounting
7	Enable the RTC registers Write protection	Write "0xFF" into the RTC_WPR register	RTC registers can no more be modified

1.3.2 Maximum and minimum RTC wakeup period

The wakeup unit clock is configured through the WUCKSEL[2:0] bits of RTC_CR1 register. Three different configurations are possible:

- Configuration 1: WUCKSEL[2:0] = 0xxb for short wakeup periods (see [Section : Periodic timebase/wakeup configuration for clock configuration 1](#))
- Configuration 2: WUCKSEL[2:0] = 10xb for medium wakeup periods (see [Section : Periodic timebase/wakeup configuration for clock configuration 2](#))
- Configuration 3: WUCKSEL[2:0] = 11xb for long wakeup periods (see [Section : Periodic timebase/wakeup configuration for clock configuration 3](#))

Periodic timebase/wakeup configuration for clock configuration 1

[Figure 8](#) shows the prescalers connection to the timebase/wakeup unit and [Table 7](#) gives the timebase/wakeup clock resolutions corresponding to configuration 1.

The prescaler depends on the Wakeup clock selection:

- WUCKSEL[2:0] = 000: RTCCLK/16 clock is selected
- WUCKSEL[2:0] = 001: RTCCLK/8 clock is selected
- WUCKSEL[2:0] = 010: RTCCLK/4 clock is selected
- WUCKSEL[2:0] = 011: RTCCLK/2 clock is selected

Figure 8. Prescalers connected to the timebase/wakeup unit for configuration 1

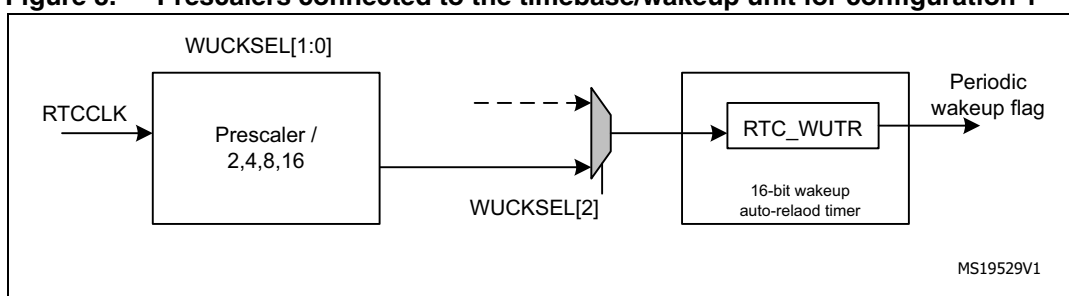


Table 7. Timebase/wakeup unit period resolution with clock configuration 1

Clock source	Wakeup period resolution	
	WUCKSEL[2:0] = 000b (div16)	WUCKSEL[2:0] = 011b (div2)
LSE = 32 768 Hz	488.28 μs	61.035 μs

When RTCCLK = 32768 Hz, the minimum timebase/wakeup resolution is 61.035 μs, and the maximum resolution 488.28 μs. As a result:

- The minimum timebase/wakeup period is $(0x0001 + 1) \times 61.035 \mu\text{s} = 122.07 \mu\text{s}$.
The timebase/wakeup timer counter WUT[15:0] cannot be set to 0x0000 with WUCKSEL[2:0]=011b ($f_{\text{RTCCLK}}/2$) because this configuration is prohibited. Refer to the STM32 reference manuals for more details.
- The maximum timebase/wakeup period is $(0xFFFF + 1) \times 488.28 \mu\text{s} = 2 \text{ s}$.

Periodic timebase/wakeup configuration for clock configuration 2

Figure 9 shows the prescaler connection to the timebase/wakeup unit and Table 8 gives the timebase/wakeup clock resolutions corresponding to configuration 2.

Figure 9. Prescalers connected to the wake up unit for configurations 2 and 3

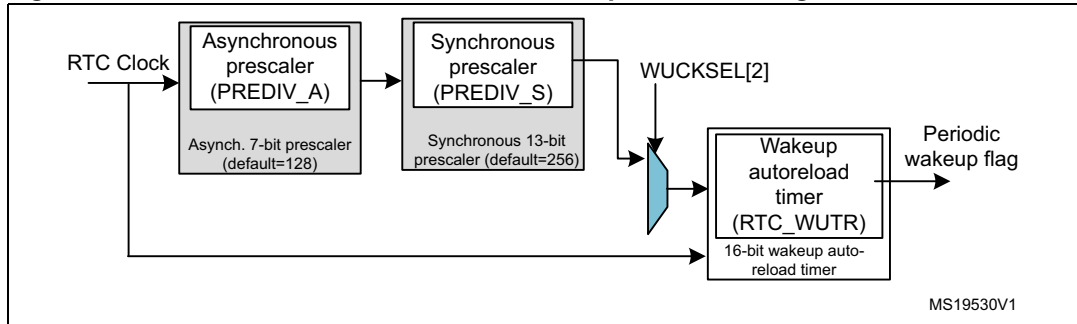


Table 8. Timebase/wakeup unit period resolution with clock configuration 2

Clock source	Wakeup period resolution	
	PREDIV_A[6:0] = div128 PREDIV_S [12:0] = div8192	PREDIV_A[6:0] = div2 ⁽¹⁾ PREDIV_S [12:0] = div1
LSE = 32 768 Hz	32 s	61.035 μs

1. PREDIV_A minimum value is '1' on medium density devices.

When RTCCLK= 32768 Hz, the minimum resolution for configuration 2 is 61.035 μs, and the maximum resolution 32s.

As a result:

- The minimum timebase/wakeup period is $(0x0000 + 1) \times 61.035 \mu s = 122.07 \mu s$.
- The maximum timebase/wakeup period is $(0xFFFF + 1) \times 32s = 131072 s$ (more than 36 hours).

Periodic timebase/wakeup configuration for clock configuration 3

For this configuration, the resolution is the same as for configuration 2. However the timebase/wakeup counter downcounts starting from 0x1FFFF to 0x00000, instead of 0xFFFF to 0x0000 for configuration 2.

When RTCCLK= 32768,

- The minimum timebase/wakeup period is:
 $(0x10000 + 1) \times 61.035 \mu s = 250.06 ms$
- The maximum timebase/wakeup period is:
 $(0x1FFFF + 1) \times 32s = 4194304s$ (more than 48 day).

Summary of timebase/wakeup period extrema

When RTCCLK= 32768 Hz, the minimum and maximum period values, depending on the configuration, are listed in [Table 9](#).

Table 9. Min. and max. timebase/wakeup period when RTCCLK= 32768

Configuration	Minimum period	Maximum period
1	122.07 μ s	2s
2	122.07 μ s	more than 36 hours
3	250.06 ms	more than 48 day

1. These values are calculated when RTCCLK = 32768 Hz

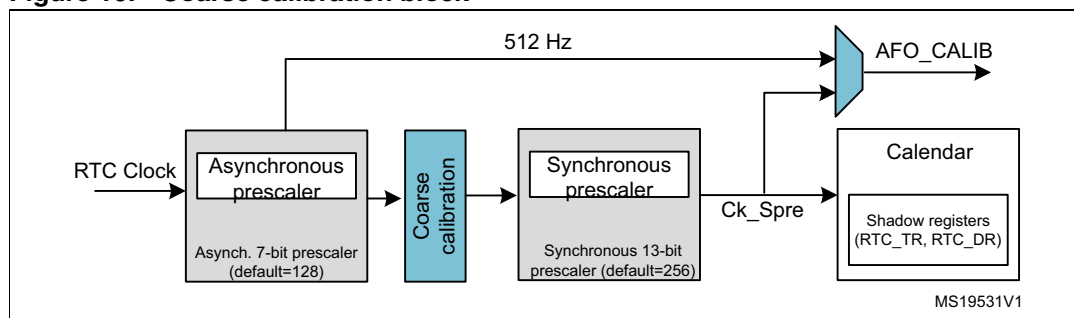
1.4 RTC digital calibration

1.4.1 RTC coarse calibration

The digital coarse calibration can be used to compensate crystal inaccuracy by adding (positive calibration) or masking (negative calibration) clock cycles at the output of the asynchronous prescaler (ck_apre).

Negative calibration can be performed with a resolution of about 2 ppm, and positive calibration can be performed with a resolution of about 4 ppm. The maximum calibration ranges from -63 ppm to 126 ppm.

Figure 10. Coarse calibration block



You can calculate the clock deviation using AFO_CALIB, then update the calibration block. It is not possible to check the calibration result as the 512 Hz output is *before* the calibration block. You can check the calibration result with certain products, as the 1 Hz CK_Spre output is after the coarse calibration block. Refer to [Table 14: Advanced RTC features](#).

- Note:**
- 1 The calibration settings can only be changed during initialization.
The full calibration cycle lasts 64 minutes.
The calibration is done during the first minutes (from 0 to 62min depending to the configuration) of the calibration cycle.
 - 2 We recommend the use of coarse calibration for static correction only. Due to the points listed in note 1, changing the calibration settings brings errors:
 - Entering initialization mode stops the calendar and reinitialize the prescalers
 - The calibration change rate must be very much smaller than the calibration window size in order to minimize the impact of the error brought by the change on the final accuracy.

Consequently, the coarse calibration is not adequate for dynamic calibration (such as compensation of the quartz variations due to external temperature changes).

- 3 The reference clock calibration and the coarse calibration can not be used together.

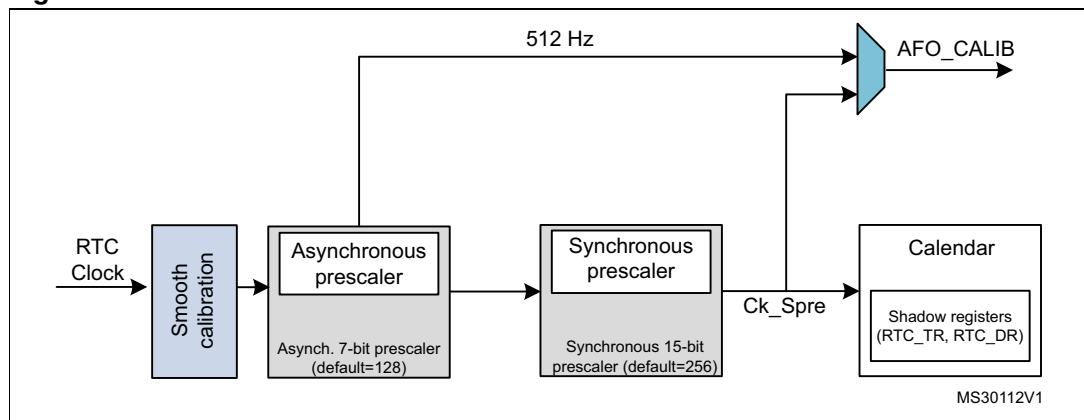
Caution: Digital coarse calibration may not work correctly if PREDIV_A < 6.

1.4.2 RTC smooth calibration

The RTC clock frequency can be corrected using a series of small adjustments by adding or subtracting individual RTCCLK pulses. The RTC clock can be calibrated with a resolution of about 0.954 ppm with a range from -487.1 ppm to +488.5 ppm.

This digital smooth calibration is designed to compensate for the inaccuracy of crystal oscillators due to temperature, crystal aging.

Figure 11. Smooth calibration block



You can compute the clock deviation using AFO_CALIB, then update the calibration block. It is possible to check the calibration result using calibration output 512 Hz or 1 Hz for the AFO_CALIB signal, depending on the products. Refer to table [Table 14: Advanced RTC features](#).

Smooth calibration consists of masking and adding N (configurable) 32 kHz pulses that are well distributed in a configurable window (8 s, 16 s or 32 s).

The number of the masked or the added pulses are defined using the CALP and CALM in the RTC_CALR register.

By default, the calibration window is 32 seconds. It can be reduced to 8 or 16 seconds by setting the CALW8 bit or the CALW16 bit in the RTC_CALR register:

Example 1: Setting CALM[0] to 1, CALP=0 and using 32 seconds as a calibration window results in exactly one pulse being masked for 32 seconds.

Example 2: Setting CALM[2] to 1, CALP=0 and using 32 seconds as a calibration window results in exactly 4 pulses being masked for 32 seconds.

- Note:*
- 1 Both CALM and CALP can be used and in this case an offset ranging from -511 to +512 pulses can be added for 32 seconds (calibration window).
 - 2 When the asynchronous prescaler is less than 3, the CALP cannot be set to 1.

The formula to calculate the effective calibrated frequency (FCAL) given the input frequency (FRTCCLK) is:

$$F_{CAL} = F_{RTCCLK} \times [1 + (CALP \times 512 - CALM) / (2^{20} + CALM - CALP \times 512)]$$

Smooth calibration can be performed on the fly so that it can be changed when temperature changes or other factors are detected.

Checking the smooth calibration

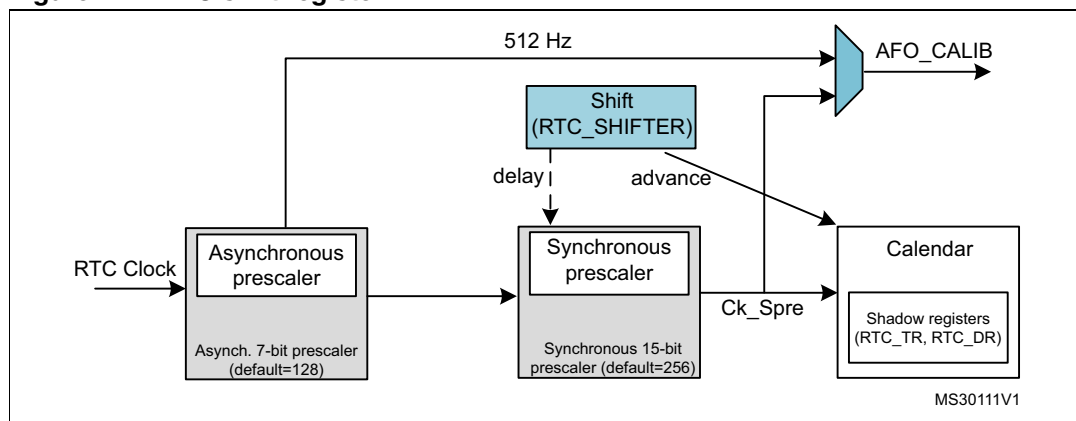
The smooth calibration effect on the calendar clock RTC Clock can be checked by:

- Calibration using the AFO_CALIB (512 Hz or 1 Hz).
- Calibration using the sub-second alarms.
- Calibration using the Wakeup timer.

1.5 Synchronizing the RTC

The RTC calendar can be synchronized to a more precise clock “remote clock” using the RTC shift feature. After reading the RTC sub-second field, a calculation can be made of the precise offset between the time being maintained by the remote clock and the RTC. The RTC can be adjusted by removing this offset with a fine adjustment using the shift register control.

Figure 12. RTC shift register



It is not possible to check the Shift function “Synchronization” using the AFO_CALIB output since the shift operation has no impact on the RTC clock, other than adding or subtracting a few fractions from the calendar counter.

Correcting the RTC calendar time

If the RTC clock is advanced compared to the remote clock by n fraction of seconds, the offset value must be written in SUBFS, which will be added to the synchronous prescaler’s counter. As this counter counts down, this operation effectively subtracts from (delays) the clock by:

$$\text{Delay (seconds)} = \text{SUBFS} / (\text{PREDIV}_S + 1)$$

If the RTC is delayed compared to the remote clock by n fraction of seconds, the offset value can effectively be added to the clock (advancing the clock) when the ADD1S function is used in conjunction with SUBFS, effectively advancing the clock by:

$$\text{Advance (seconds)} = (1 - (\text{SUBFS} / (\text{PREDIV}_S + 1)))$$

1.6 RTC reference clock detection

The reference clock (at 50 Hz or 60 Hz) should have a higher precision than the 32.768 kHz LSE clock. This is why the RTC provides a reference clock input (RTC_50Hz pin) that can be used to compensate the imprecision of the calendar frequency (1 Hz).

The RTC_50Hz pin should be configured in input floating mode.

This mechanism enables the calendar to be as precise as the reference clock.

The reference clock detection is enabled by setting REFCKON bit of the RTC_CR register.

When the reference clock detection is enabled, PREDIV_A and PREDIV_S must be set to their default values: PREDIV_A = 0x007F and PREDIV_S = 0x00FF.

When the reference clock detection is enabled, each 1 Hz clock edge is compared to the nearest reference clock edge (if one is found within a given time window). In most cases, the two clock edges are properly aligned. When the 1 Hz clock becomes misaligned due to the imprecision of the LSE clock, the RTC shifts the 1 Hz clock a bit so that future 1 Hz clock edges are aligned. The update window is 3 ck_calib periods (ck_calib is the output of the coarse calibration block).

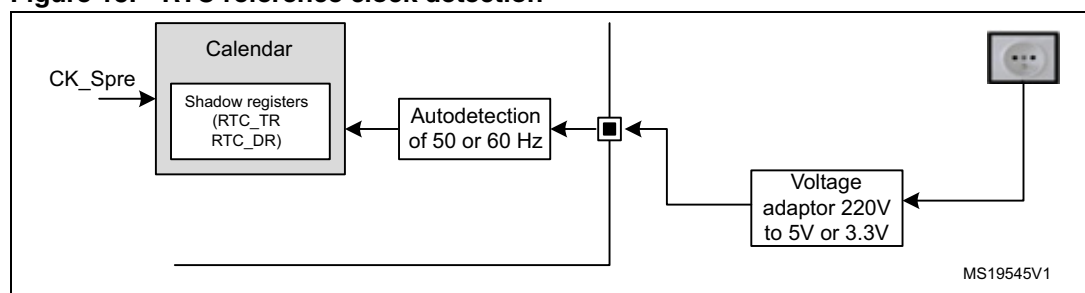
If the reference clock halts, the calendar is updated continuously based solely on the LSE clock. The RTC then waits for the reference clock using a detection window centered on the Synchronous Prescaler output clock (ck_spre) edge. The detection window is 7 ck_calib periods.

The reference clock can have a large local deviation (for instance in the range of 500ppm), but in the long term it must be much more precise than 32 kHz quartz.

The detection system is used only when the reference clock needs to be detected back after a loss. As the detection window is a bit larger than the reference clock period, this detection system brings an uncertainty of 1 ck_ref period (20 ms for a 50Hz reference clock) because we can have 2 ck_ref edges in the detection window. Then the update window is used, which brings no error as it is smaller than the reference clock period.

We assume that the ck_ref is not lost more than once a day. So the total uncertainty per month would be $20\text{ms} * 1 * 30 = 0.6\text{s}$, which is much less than the uncertainty of a typical quartz (1.53 minutes per month for 35ppm quartz).

Figure 13. RTC reference clock detection

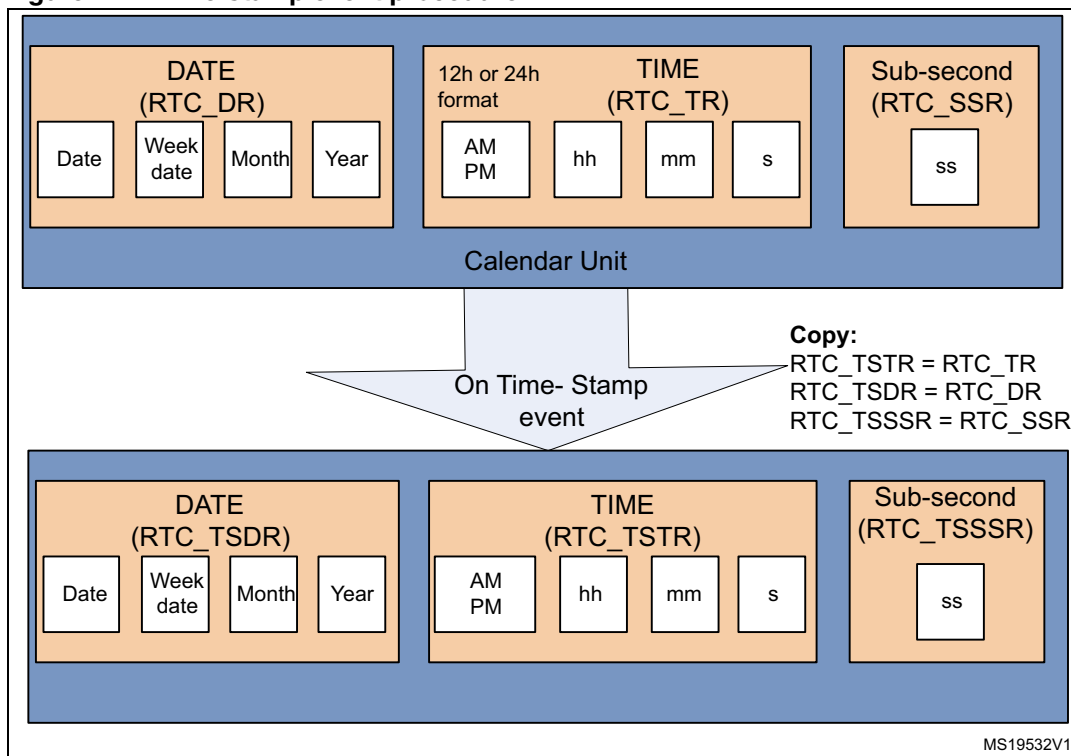


- Note:**
- The reference clock calibration and the coarse calibration can not be used together.*
 - The reference clock calibration is the best (ensures a high calibrated time) if the 50 Hz is always available. If the 50 Hz input is lost, the LSE can be used.*
 - The reference clock detection can not be used in Vbat mode.*
 - The reference clock calibration can only be used if you provide a precise 50 or 60 Hz input.*

1.7 Time-stamp function

The Time-stamp feature provides the means to automatically save the current calendar.

Figure 14. Time-stamp event procedure



When the time-stamp is enabled, the calendar is saved in the time-stamp registers (RTC_TSTR, RTC_TSDR, RTC_TSSSR) when a time-stamp event is detected on the pin that the TIMESTAMP alternate function is mapped to. When a time-stamp event occurs, the time-stamp flag bit (TSF) in RTC_ISR register is set.

Note: The time-stamp sub-second register is not available for all products. Please refer to [Table 14: Advanced RTC features](#).

Table 10. Time-stamp features

What to do	How to do it	Comments
Enable Time-stamp	Setting the TSE bit of RTC_CR register to 1	
Map TIMESTAMP pin alternate function	Select with TSINSEL bit in RTC_TCR register	Only for F2 series devices. The TIMESTAMP pin can be either PI8 or PC13.
Detect a time-stamp event by interrupt	Setting the TSIE bit in the RTC_CR register	An interrupt is generated when a time-stamp event occurs.
Detect a time-stamp event by polling	By polling on the time-stamp flag (TSF ⁽¹⁾) in the RTC_ISR register	To clear the flag, write zero on the TSF bit. ⁽²⁾

Table 10. Time-stamp features (continued)

What to do	How to do it	Comments
Detect a Time-stamp overflow event ⁽³⁾	By polling on the time-stamp over flow flag (TSOVF ⁽⁴⁾) in the RTC_ISR register.	<ul style="list-style-type: none"> - To clear the flag, write zero on the TSOVF bit. - Time-stamp registers (RTC_TSTR and RTC_TSDR, RTC_TSSSR⁽¹⁾) maintain the results of the previous event. - If a time-stamp event occurs immediately after the TSF bit is supposed to be cleared, then both TSF and TSOVF bits are set

1. TSF is set 2 ck_apre cycles after the time-stamp event occurs due to synchronization process.
2. To avoid masking a time-stamp event occurring at the same moment, the application must not write '0' into TSF bit unless it has already read it to '1'.
3. Time-stamp overflow event is not connect to an interrupt.
4. There is no delay in the setting of TSOVF. This means that if two time-stamp events are close together, TSOVF can be seen as '1' while TSF is still '0'. As a consequence, it is recommended to poll TSOVF only after TSF has been set. RTC tamper detection function

1.8 RTC tamper detection function

The RTC includes n tamper detection inputs. The tamper input active level/edge can be configured and each one has an individual flag (TAMPxF bit in RTC_ISR register).

A tamper detection event generates an interruption when the TAMPIE bit in RTC_TAFCR register is set.

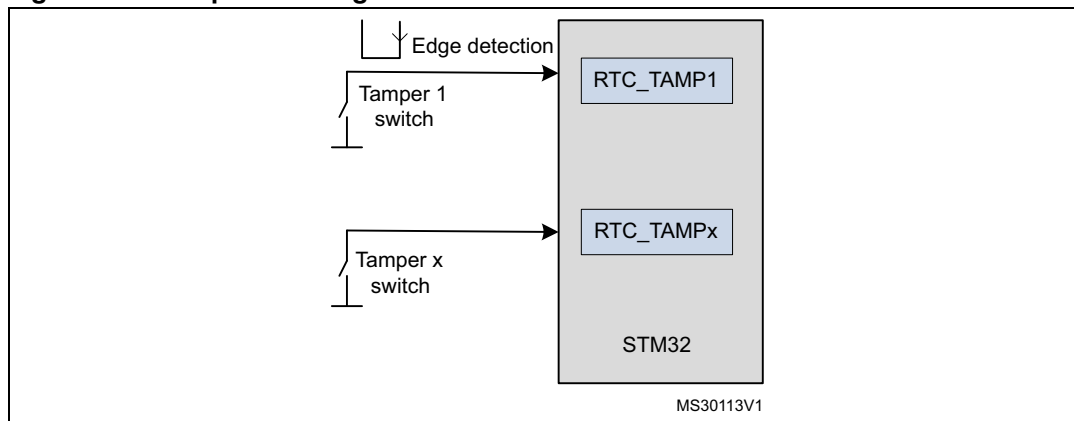
The configuration of the tamper filter, "TAMPFLT bits", defines whether the tamper detection is activated on edge (set TAMPFLT to "00"), or on level (TAMPFLT must be different to "00").

Note: The number of tamper "n" depends on products. Each input has an individual flag "TAMPxF" in the RTC_TAMP register.

1.8.1 Edge detection on tamper input

When the TAMPFLT bits are set to zero, the tamper input detection triggers when either a rising edge or an falling edge is observed on the corresponding TAMPLEVEL bit.

Figure 15. Tamper with edge detection



Note: With tamper events, sampling and precharge features are deactivated.

Table 11. Tamper features (edge detection)

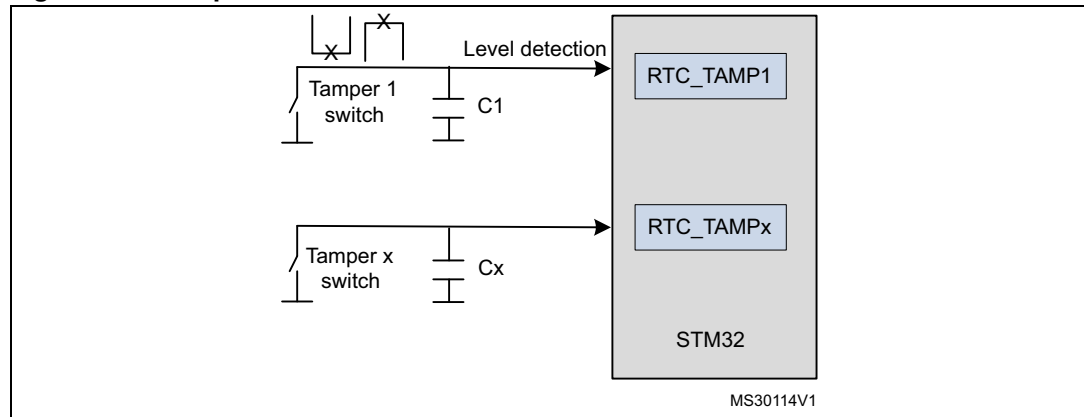
What to do	How to do it	Comments
Enable Tamper	Set the TAMP1E bit of RTC_TAFPCR register to 1	
select Tamper1 active edge detection	Select with TAMP1TRG bit in RTC_TAFPCR register	The default edge is rising edge.
Map Tamper1 pin alternate function	Select with TAMP1INSEL bit in RTC_TAFPCR register	For F2/4 series devices, the Tamper1 pin can be either PI8 or PC13.
Detect a Tamper1 event by interrupt	Set the TAMP1IE bit in the RTC_TAFPCR register	An interrupt is generated when tamper detection event occurs.
Detect a Tamper1 event by polling	Poll on the time-stamp flag (TAMP1F) in the RTC_ISR register	To clear the flag, write zero on the TAMP1F bit.

1.8.2 Level detection on tamper input

Setting the tamper filter “TAMPFLT” to a value other than zero means that the tamper input triggers when a selected level (high or low) is observed on the corresponding TAMPLEVEL bit.

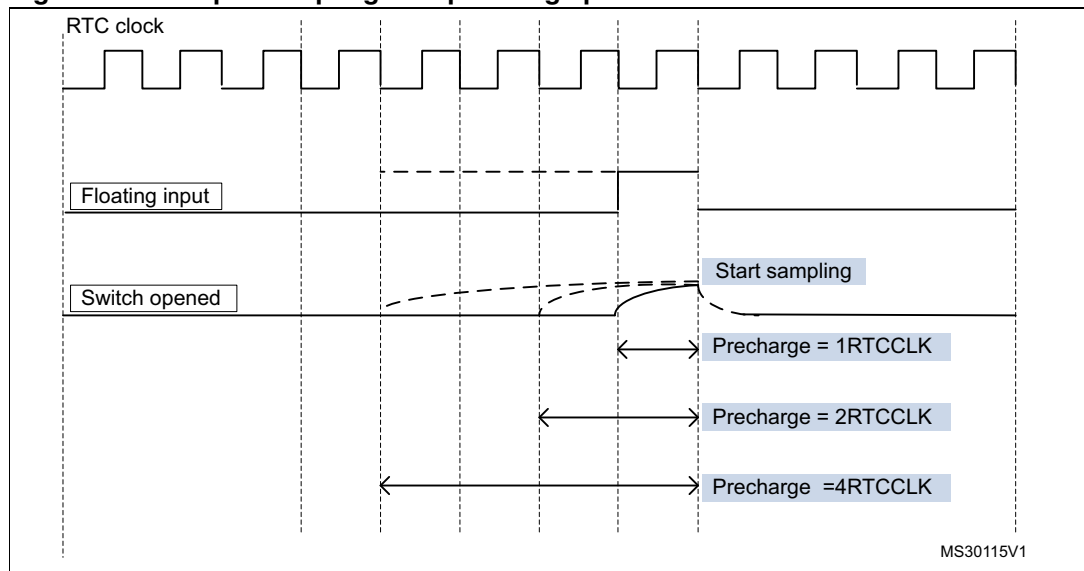
A tamper detection event is generated when either 2, 4 or 8 (depending on TAMPFLT value) consecutive samples are observed at the selected level.

Figure 16. Tamper with level detection



Using the level detection (tamper filter set to non-zero value), the tamper input pin can be precharged by resetting the TAMPUDIS through an internal resistance before sampling its state. In order to support the different capacitance values, the length of the pulse during which the internal pullup is applied can be 1, 2, 4 or 8 RTCCLK cycles.

Figure 17. Tamper sampling with precharge pulse



Note: When the internal pullup is not applied, the I/Os Schmitt triggers are disabled in order to avoid extra consumption if the tamper switch is open.

The trade off between tamper detection latency (using the precharge feature) and the power consumption through the weak pullup/pulldown can be reduced by using a tamper sampling frequency feature.

The tamper sampling frequency is determined by configuring the TAMPFREQ bits in the RTC_TAMP register.

Note: When using the LSE (32768 Hz) as the RTC clock source, the sampling frequency can be 1, 2, 4, 8, 16, 32, 64, or 128 Hz.

Table 12. Tamper features (level detection)

What to do	How to do it	Comments
Enable Tamper	Set the TAMP1E bit of RTC_TAFPCR register to 1	
Configure Tamper1 filter count	Configure TAMPFLT bits in RTC_TAFPCR register	Default value is 0.
Configure Tamper1 sampling frequency	Configure TAMPFREQ bits in RTC_TAFPCR register	Default value is 1Hz
Configure tamper precharge/discharge duration	Set/Reset TAMPPUDIS bit in RTC_TAMPCR register	
select Tamper1 active edge/Level detection	Select with TAMP1TRG bit in RTC_TAFPCR register	Edge or Level is depending on tamper filter configuration.
Map Tamper1 pin alternate function	Select with TAMP1INSEL bit in RTC_TAFPCR register	For F2 series devices, the Tamper1 pin can be either PI8 or PC13.
Detect a Tamper1 event by interrupt	Set the TAMPIE bit in the RTC_TAFPCR register	An interrupt is generated when tamper detection event occurs.
Detect a Tamper1 event by polling	Poll on the time-stamp flag (TAMP1F) in the RTC_ISR register	To clear the flag, write zero on the TAMP1F bit.

1.8.3 Active time-stamp on tamper detection event

By setting the TAMPTS bit to 1, any tamper event (with edge or level detection) causes a time-stamp to occur. Consequently, the time-stamp flag and time-stamp overflow flag are set at the moment when the tamper flag is set and work in the same manner as when a normal time-stamp event occurs.

Note: It is not necessary to enable or disable the time-stamp function when using this feature.

1.9 Back up registers

RTC_BKPxR, where x=0 to n backup registers (80 bytes) and are reset when a tamper detection event occurs. These registers are powered-on by VBAT when VDD is switched off, so that they are not reset by a system reset, and their contents remain valid when the device operates in low-power mode.

Note: The number “n” of backup registers depends on the product. Please refer to [Table 14: Advanced RTC features](#).

1.10 RTC and low-power modes

The RTC is designed to minimize the power consumption. The prescalers used for the calendar are divided into synchronous and asynchronous.

Increasing the value of the asynchronous prescaler reduces the power consumption.

The RTC continues working in reset mode and its registers are only reset by a VDD or VBAT power on, if both supplies have previously been powered off or the Backup Domain is reset on STM32F2xx devices.

Registers are only reset by a power-on reset. RTC register values are not lost after a reset and the calendar keeps the correct time and date.

After a system reset or a power-on reset, the STM32 operates in Run mode. In addition, the device supports five low power modes to achieve the best compromise between low power consumption, short startup time and available wakeup sources.

The RTC peripheral can be active in the following low power modes:

- Sleep mode
- Low power Run mode (only for ULPM density devices)
- Low power Sleep mode (only for ULPM density devices)
- Standby mode
- Stop mode

Refer to the low power modes section of the *STM32 reference manuals* for more details about low power modes.

1.11 Alternate function RTC outputs

The RTC peripheral has two outputs:

- RTC_CALIB: used to generate an external clock.
- RTC_ALARM: unique output resulting from the multiplexing of the RTC alarm and wakeup events.

1.11.1 RTC_CALIB output

The RTC_CALIB output is used to generate a variable-frequency signal. Depending on the user application, this signal can play the role of a reference clock to calibrate an external device, or be connected to a buzzer to generate a sound.

The signal frequency is configured using the 7 LSB bits (PREDIV_A [7:0]) of the asynchronous prescaler PREDIV_A[7:0].

RTC_CALIB is the output of the 5th stage of the 7-bit asynchronous prescaler PREDIV_A. If PREDIV_A[5]=0, no signal is output on RTC_CALIB.

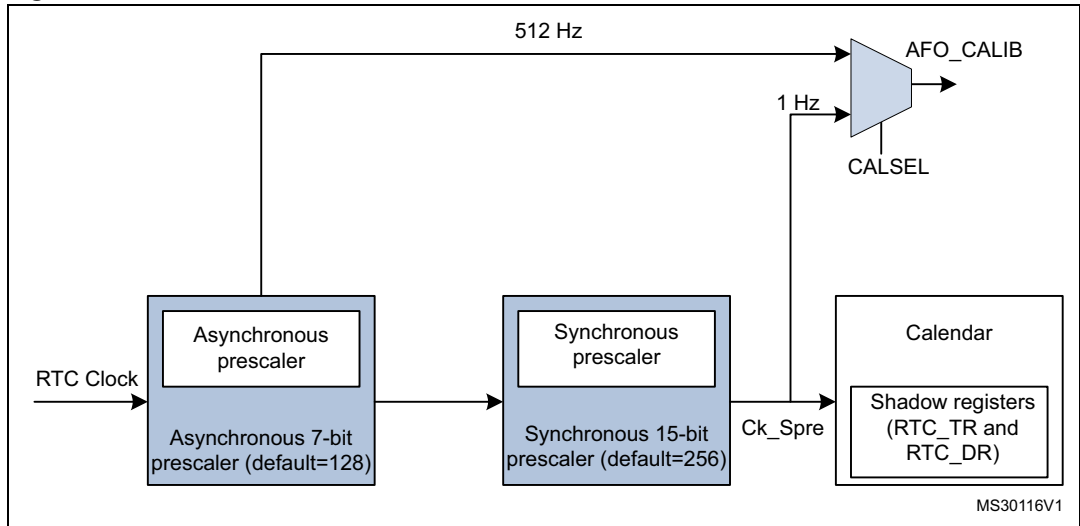
Setting 512 Hz as the output signal

1. Select LSE “32768 Hz” as RTC clock source.
2. Set the asynchronous prescaler to the default value “128”.
3. Enable the output calibration by setting “COE” to ‘1’.
4. Select 512 Hz as calibration output by setting CALSEL to ‘0’

Setting 1 Hz as the output signal

1. Select LSE “32768 Hz” as RTC clock source.
2. Set the asynchronous prescaler to the default value “128”.
3. Set the synchronous prescaler to the default value “256”
4. Enable the output calibration by setting “COE” to ‘1’.
5. Select 1 Hz as calibration output by setting CALSEL to ‘1’

Figure 18. RTC_CALIB clock sources.



Maximum and minimum RTC_CALIB 512 Hz output frequency

The RTC can output the RTCCLK clock divided by a 7-bit asynchronous prescaler. The divider factor is configured using bits PREDIV_A[6:0] of the RTC_PRER register.

RTC_CALIB maximum and minimum frequencies are **31.250 kHz** and **500 Hz**, respectively.

Table 13. RTC_CALIB output frequency versus clock source

RTC clock source	RTC_CALIB output frequency	
	Minimum (PREDIV_A[6:0] = 111 111b) (div64)	Maximum (PREDIV_A[6:0] = 100 000b ⁽¹⁾) (div32)
HSE_RTC=1MHz	15,625 kHz	31.250 KHz
LSE = 32768 Hz	512 Hz (default output frequency)	1.024 KHz
LSI ⁽²⁾ = 32 kHz	500 Hz	1 KHz
LSI ⁽³⁾ = 37 kHz	578.125 Hz	1156.25 Hz

1. PREDIV_A[5] must be set to ‘1’ to enable the RTC_CALIB output signal generation. If PREDIV_A[5] bit is zero, no signal is output on RTC_CALIB.
2. For STM32L1xx, LSI = 37 KHz
3. For STM32F2xx and STM32F4xx, LSI = 32 KHz.

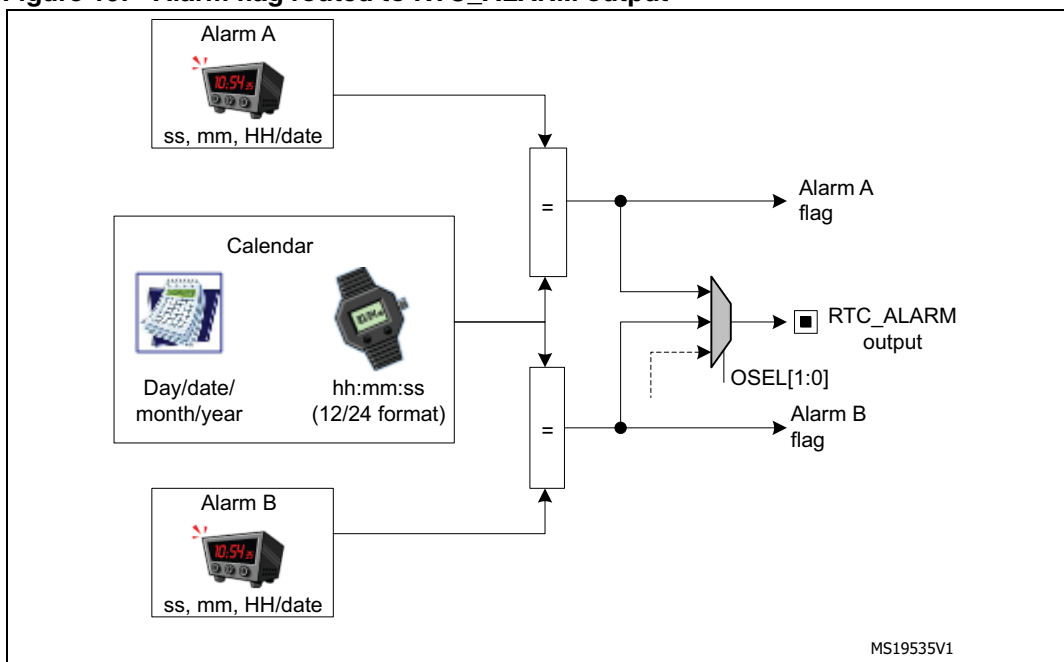
1.11.2 RTC_ALARM output

The RTC_ALARM output can be connected to the RTC alarm unit A or B to trigger an external action, or routed to the RTC wakeup unit to wake up an external device.

RTC_ALARM output connected to an RTC alarm unit

When the calendar reaches the value pre-programmed Alarm A in the RTC_ALRMAR register (TC_ALRMBR register for Alarm B), the alarm flag ALRAF bit (ALRBF bit), in RTC_ISR register, is set to '1'. If the alarm A or alarm B flag is routed to the RTC_ALARM output (RTC_CR_OSEL[1:0] = "01" for alarm A, and RTC_CR_OSEL[1:0] = "10" for alarm B), this pin is set to VDD or to GND, depending on the polarity selected. The output toggles when the selected alarm flag is cleared.

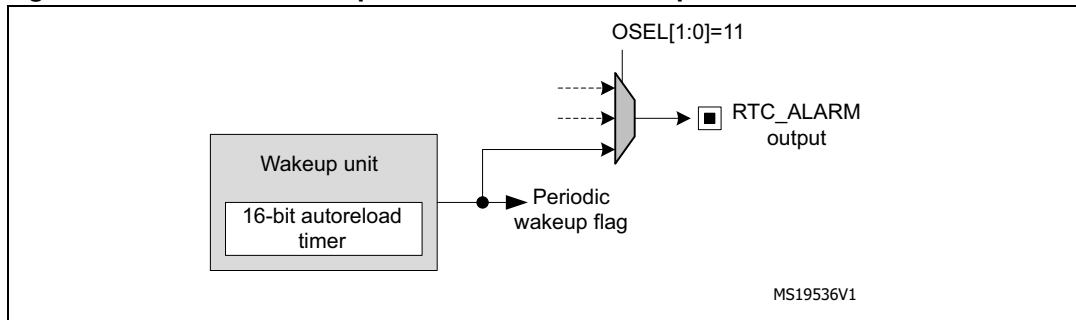
Figure 19. Alarm flag routed to RTC_ALARM output



RTC_ALARM output connected to the wakeup unit

When the wakeup downcounting timer reaches 0, the wakeup flag is set to '1'. If this flag is selected as source for the RTC_ALARM output (OSEL[1:0] bits set to '11' in RTC_CR register), the output will be set depending to the polarity selected and will remain set as long as the flag is not cleared.

Figure 20. Periodic wake-up routed to RTC_ALARM pinout



1.12 RTC security aspects

1.12.1 RTC Register write protection

To protect RTC registers against possible parasitic write accesses after reset, the RTC registers are automatically locked. They must be unlocked to update the current calendar time and date.

Writing to the RTC registers is enabled by programming a key in the Write protection register (RTC_WPR).

The following steps are required to unlock the write protection of the RTC register:

1. Write **0xCA** into the RTC_WPR register.
2. Write **0x53** into the RTC_WPR register.

Writing an incorrect key automatically reactivates the RTC register write access protection.

1.12.2 Enter/Exit initialization mode

The RTC can operate in two modes:

- *Initialization mode*: where the counters are stopped.
- *Free-running mode*: where the counters are running.

The calendar cannot be updated while the counters are running. The RTC must consequently be switched to *Initialization mode* before updating the time and date.

When operating in this mode, the counters are stopped. They start counting from the new value when the RTC enters *Free-running mode*.

The INIT bit of the RTC_ISR register enables you to switch from one mode to another, and the INITF bit can be used to check the RTC current mode.

The RTC must be in *Initialization mode* to program the time and date registers (RTC_TR and RTC_DR) and the prescalers register (RTC_PRER). This is done by setting the INIT bit and waiting until the RTC_ISR_INITF flag is set.

To return to *Free-running mode* and restart counting, the RTC must exit *Initialization mode*: This is done by resetting the INIT bit.

Only a power-on reset can reset the calendar. A system reset does not affect it but resets the shadow registers that are read by the application. They are updated again when the RSF bit is set. After a system reset, the application can check the INITS status flag in RTC_ISR register to verify if the calendar is already initialized. This flag is reset when the

calendar year field is set to 0x00 (power-on reset value), meaning that the calendar must be initialized.

1.12.3 RTC clock synchronization

When the application reads the calendar, it accesses shadow registers that contain a copy of the real calendar time and date clocked by the RTC clock (RTCCLK). The RSF bit is set in the RTC_ISR register each time the calendar time and date shadow registers are updated with the real calendar value. The copy is performed every two RTCCLK cycles, synchronized with the system clock (SYSCLK). After a system reset or after exiting initialization mode, the application must wait for RSF to be set before reading the calendar shadow registers.

When the system is woken up from low power modes (SYSCLK was off), the application must first clear the RSF bit, and then wait until it is set again before reading the calendar registers. This ensures that the value read by the application is the current calendar value, and not the value before entering the used Low power mode.

By setting the “BYPASHAD” bit to ‘1’ in the RTC_CR register, the calendar values are taken directly from the calendar counters instead of reading the shadow register. In this case, it is not mandatory to wait for the synchronization time, but the calendar registers consistency must be checked by the software. The user must read the required calendar field values. The read operation must be then be performed again. The results of the two read sequences are then compared. If the results match, the read result is correct. If they do not match, the fields must be read one time more, and the third read result is valid.

Note: After resetting the BYPASHAD bit, the shadow registers may be incorrect until the next synchronization. In this case, software should clear the “RSF” bit then wait for synchronization (“RSF” should be set) and finally read the shadow registers.

2 Advanced RTC features

Table 14. Advanced RTC features

RTC features		F2 series	ULPM density	F4 series
Prescalers	Asynchronous		X (7 bits)	X (7 bits)
	Synchronous		X (13 bits)	X (15 bits)
Calendar	Time	12/24 format	X	X
		Hour, minutes and seconds	X	X
		Sub-second		
	Date		X	X
	Daylight operation		X	X
	Bypass the shadow registers			
Alarm	Alarms available	Alarm A	X	X
		Alarm B	X	X
	Time	12/24 format	X	X
		Hour, minutes and seconds	X	X
		Sub-second		
	Date or week day		X	X
Tamper detection	Configurable input mapping		X	
	Configurable edge detection		X	X
	Configurable Level detection (filtering, sampling and precharge configuration on tamper input)			
	Number of tamper inputs		2 inputs / 1 event	1 input / 1 event
Time Stamp	Configurable input mapping		X	
	Time	Hours, minutes and seconds	X	X
		Sub-seconds		
	Date		X	X
	Active Time Stamp on tamper detection event		X	X
RTC Outputs	AFO_Alarm	Alarm event	X	X
		Wakeup event	X	X
	AFO_Calib	512 Hz	X	X
		1 Hz		

Table 14. Advanced RTC features (continued)

RTC features		F2 series	ULPM density	F4 series
RTC Calibration	Coarse Calibration	X	X	X
	Smooth Calibration			X
Synchronizing the RTC				X
Reference clock, detection		X	X	X
Backup registers	Powered-on Vbat	X		X
	Reset on a tamper detection	X	X	X
	Reset when flash readout protection is disabled		X	
	RTC clock source configuration register	RCC_BDCR	RCC_CSR	RCC_BDCR
	Number of backup registers	20	20	20

3 RTC firmware driver API

This driver provides a set of firmware functions to manage the following functionalities of the RTC peripheral:

- Initialization
- Calendar (Time and Date) configuration
- Alarm (Alarm A and Alarm B) configuration
- Wakeup Timer configuration
- Daylight saving configuration
- Output pin configuration
- Digital calibration configuration
- Synchronization configuration
- Time-stamp configuration
- Tamper configuration
- Backup data register configuration
- RTC Tamper and Time-stamp pin selection and Output type configuration
- Interrupts and flag management

For the STM32F2xx family, the RTC driver `stm32f2xx_rtc.c/.h` can be found in the directory: `STM32F2xx_StdPeriph_Lib_vX.Y.Z\Libraries\STM32F2xx_StdPeriph_Driver`.

For the STM32L1xx family, the RTC driver `stm32l1xx_rtc.c/.h` can be found in the directory: `STM32L1xx_StdPeriph_Lib_vX.Y.Z\Libraries\STM32L1xx_StdPeriph_Driver`.

For the STM32F4xx family, the RTC driver `stm32f4xx_rtc.c/.h` can be found in the directory: `STM32F4xx_StdPeriph_Lib_vX.Y.Z\Libraries\STM32F4xx_StdPeriph_Driver`.

These two drivers provide a fully compatible API making it easy to move from one product to another.

3.1 Start with RTC driver

Before using the RTC features:

- Enable the RTC domain access (see following note)
- Configure the RTC prescaler (Asynchronous and Synchronous) and RTC hour format using the **RTC_Init()** function.

Note: After a reset, the backup domain (RTC registers, RTC backup data registers and backup SRAM) is protected against possible unwanted write access. To enable access to the RTC Domain and RTC registers:

- Enable the Power Controller (PWR) APB1 interface clock using the `RCC_APB1PeriphClockCmd()` function.
- Enable access to the RTC domain using the `PWR_BackupAccessCmd()` function on STM32F2xx and STM32F4xx devices or `PWR_RTCAccessCmd()` function on STM32L1xx devices.
- Select the RTC clock source using the `RCC_RTCCLKConfig()` function.
- Enable RTC Clock using the `RCC_RTCCLKCmd()` function.

3.1.1 Time and Date configuration

To configure the RTC Calendar (Time and Date) use the **RTC_SetTime()** and **RTC_SetDate()** functions.

To read the RTC Calendar, use the **RTC_GetTime()**, **RTC_GetDate()** and **RTC_GetSubSecond()** functions.

Use the **RTC_DayLightSavingConfig()** function to add or sub one hour to the RTC Calendar.

3.1.2 Alarm configuration

RTC Alarm

To configure the RTC Alarm use the **RTC_SetAlarm()** function.

Enable the selected RTC Alarm using the **RTC_AlarmCmd()** function

To read the RTC Alarm, use the **RTC_GetAlarm()** function.

RTC Alarm Sub-second

To configure the RTC Alarm sub-second, use the **RTC_AlarmSubSecondConfig()** function.

To read the RTC Alarm sub-second, use the **RTC_GetAlarmSubSecond()**.

3.1.3 RTC Wakeup configuration

Configure the RTC Wakeup Clock source use the **RTC_WakeUpClockConfig()** function.

Configure the RTC WakeUp Counter using the **RTC_SetWakeUpCounter()** function.

Enable the RTC WakeUp using the **RTC_WakeUpCmd()** function.

To read the RTC WakeUp Counter register, use the **RTC_GetWakeUpCounter()** function.

3.1.4 Outputs configuration

The RTC has two different outputs:

- **AFO_ALARM**: used to manage the RTC Alarm A, Alarm B and WaKeUp signals. To output the selected RTC signal on RTC_AF1 pin, use the **RTC_OutputConfig()** function.
- **AFO_CALIB**: used to manage the RTC Clock divided by 64 (512 Hz) signal and the calendar clock (1 Hz). To output the RTC Clock on RTC_AF1 pin, use the **RTC_CalibOutputCmd()** function.

3.1.5 Digital calibration configuration

Configure the RTC Coarse calibration value and the corresponding sign using the **RTC_CoarseCalibConfig()** function.

Enable the RTC Coarse calibration using the **RTC_CoarseCalibCmd()** function.

Configure the RTC smooth calibration value and the calibration period **RTC_SmoothCalibConfig()** function.

3.1.6 TimeStamp configuration

Configure the RTC_AF1 trigger and enable the RTC TimeStamp using the **RTC_TimeStampCmd()** function.

Read the RTC TimeStamp Time and Date register using the **RTC_GetTimeStamp()** function.

Read the RTC TimeStamp sub-second register using the **RTC_GetTimeStampSubSecond()** function.

The TAMPER1 alternate function can be mapped either to RTC_AF1(PC13) or RTC_AF2 (PI8) depending on the value of TAMP1INSEL bit in RTC_TAFCR register. You can use the **RTC_TimeStampPinSelection()** function to select the corresponding pin.

3.1.7 Tamper configuration

Configure the RTC Tamper trigger using the **RTC_TamperConfig()** function.

Configure the RTC Tamper filter using the **RTC_TamperFilterConfig()** function.

Configure the RTC Tamper sampling frequency using the **RTC_TamperSamplingFreqConfig()** function.

Configure the RTC Tamper pins input precharge duration using the **RTC_TamperPinsPrechargeDuration()** function.

Enable the precharge of the Tamper pin using the **RTC_TamperPullUpCmd()** function.

Enable the TimeStamp on Tamper detection event using the **RTC_TimeStampOnTamperDetectionCmd()** function.

Enable the RTC Tamper using the **RTC_TamperCmd()** function.

The TIMESTAMP alternate function can be mapped to either RTC_AF1 or RTC_AF2 depending on the value of the TSINSEL bit in the RTC_TAFCR register. You can use the **RTC_TamperPinSelection()** function to select the corresponding pin.

3.1.8 Backup data registers configuration

To write to the RTC backup data registers, use the **RTC_WriteBackupRegister()** function.

To read the RTC backup data registers, use the **RTC_ReadBackupRegister()** function.

3.2 Function groups and description

The STM32 RTC driver can be divided into 14 function groups related to the functions embedded in the RTC peripheral.

- RTC configuration to the default reset state
- RTC initialization and configuration functions.
- RTC time and date configuration functions
- RTC alarm configuration functions
- RTC wakeup timer configuration functions
- RTC daylight saving configuration functions
- RTC output pin configuration functions
- RTC digital calibration (coarse and smooth) configuration functions
- RTC time-stamp configuration functions
- RTC Tamper configuration functions
- RTC backup registers configuration functions
- RTC tamper, time-stamp pin selection
- RTC shift control synchronization function
- RTC flags and IT management functions

Table 15. RTC function groups

Group ID	Function name	Description	ULPM ⁽¹⁾ density	F2 series	F4 series
1	Function used to set the RTC configuration to the default reset state				
	RTC_DeInit	Deinitializes the RTC registers to their default reset values.	Yes	Yes	Yes

Table 15. RTC function groups (continued)

Group ID	Function name	Description	ULPM ⁽¹⁾ density	F2 series	F4 series
2	Initialization and Configuration				
	RTC_Init	Initializes the RTC registers according to the specified parameters in RTC_InitStruct <Hour format, Asynchronous predivisor, Asynchronous predivisor>.	Yes	Yes	Yes
	RTC_StructInit	Fills each RTC_InitStruct member with its default value.	Yes	Yes	Yes
	RTC_RefClockCmd	Enables or disables the RTC reference clock detection	Yes	Yes	Yes
	RTC_EnterInitMode	Enters the RTC Initialization mode.	Yes	Yes	Yes
	RTC_ExitInitMode	Exits the RTC Initialization mode.	Yes	Yes	Yes
	RTC_WriteProtectionCmd	Enables or disables the RTC registers write protection.	Yes	Yes	Yes
	RTC_WaitForSynchro	Waits until the RTC Time and Date registers (RTC_TR and RTC_DR) are synchronized.	Yes	Yes	Yes
	RTC_TimeStructInit	Fills each RTC_TimeStruct member with its default value (Time = 00h:00min:00sec).	Yes	Yes	Yes
	RTC_BypassShadowCmd	Enables or Disables the Bypass Shadow feature			Yes
3	RTC time and date functions				
	RTC_SetTime	Sets the RTC current time < RTC hours, RTC minutes, RTC seconds, RTC 12-hour clock period (AM/PM)>.	Yes	Yes	Yes
	RTC_SetDate	Sets the current RTC date. < Calendar weekday, Calendar Month, Calendar date, Calendar year>.	Yes	Yes	Yes
	RTC_GetTime	Gets the current RTC time.	Yes	Yes	Yes
	RTC_GetDate	Gets the current RTC date.	Yes	Yes	Yes
	RTC_DateStructInit	Fills each RTC_DateStruct member with its default value (Monday 01 January xx00).	Yes	Yes	Yes
	RTC_TimeStructInit	Fills each RTC_TimeStruct member with its default value (Time = 00h:00min:00sec).	Yes	Yes	Yes
RTC_GetSubSecond	Gets the RTC current Calendar sub-seconds value			Yes	

Table 15. RTC function groups (continued)

Group ID	Function name	Description	ULPM ⁽¹⁾ density	F2 series	F4 series
4	RTC alarms functions				
	RTC_SetAlarm	Sets the RTC specified alarm configuration: "Alarm time fields, Alarm masks, Alarm date/Weekday selection, Alarm Date/Weekday value".	Yes	Yes	Yes
	RTC_GetAlarm	Gets the RTC specified alarm configuration.	Yes	Yes	Yes
	RTC_AlarmCmd	Enables or disables the RTC specified alarm.	Yes	Yes	Yes
	RTC_AlarmStructInit	Fills each RTC_AlarmStruct member with its default value (Time = 00h:00mn:00sec / Date = 1st day of the month/Mask = all fields are masked).	Yes	Yes	Yes
	RTC_AlarmSubSecondConfig	Configure the RTC AlarmA/B sub-seconds value and mask			Yes
	RTC_GetAlarmSubSecond	Gets the RTC Alarm sub-seconds value			Yes
5	RTC wakeup timer functions				
	RTC_WakeUpClockConfig	Configures the RTC wakeup clock source.	Yes	Yes	Yes
	RTC_SetWakeUpCounter	Sets the RTC Wakeup counter value.	Yes	Yes	Yes
	RTC_GetWakeUpCounter	Returns the RTC Wakeup timer counter value.	Yes	Yes	Yes
	RTC_WakeUpCmd	Enables or disables the RTC Wakeup timer.	Yes	Yes	Yes
6	RTC daylight saving functions				
	RTC_DayLightSavingConfig	Adds or subtracts one hour from the current time depending on the daylight saving parameter.	Yes	Yes	Yes
	RTC_GetStoreOperation	Returns the daylight saving stored operation.	Yes	Yes	Yes
7	RTC output pin configuration function				
	RTC_OutputConfig	Configures the RTC output for the output pinout (RTC_ALARM pin)	Yes	Yes	Yes

Table 15. RTC function groups (continued)

Group ID	Function name	Description	ULPM ⁽¹⁾ density	F2 series	F4 series
8	RTC digital coarse calibration functions				
	RTC_DigitalCalibConfig	Configures the coarse calibration settings	Yes	Yes	Yes
	RTC_DigitalCalibCmd	Enables or disables the digital calibration process	Yes	Yes	Yes
	RTC_CalibOutputCmd	Enables or disables the connection of the RTCCLK/PREDIV_A[6:0] clock to be output through the relative pinout (RTC_CALIB pin)	Yes	Yes	Yes
	RTC_CalibOutputConfig	Configure the calibration pinout (RTC_CALIB) Selection (1 Hz or 512 Hz)			Yes
	RTC_SmoothCalibConfig	Configures the smooth calibration settings			
9	RTC timestamp functions				
	RTC_TimeStampCmd	Enables or disables the RTC TimeStamp functionality with the specified time stamp pin stimulating edge	Yes	Yes	Yes
	RTC_GetTimeStamp	Get the RTC time-Stamp value and masks	Yes	Yes	Yes
	RTC_GetTimeStampSubSecond	Get the RTC timestamp sub-seconds value			Yes
10	RTC tamper functions				
	RTC_TamperTriggerConfig	Configures the Tamper edge trigger	Yes	Yes	Yes
	RTC_TamperCmd	Enables or disables the Tamper detection	Yes	Yes	Yes
	RTC_TamperFilterConfig	RTC_TamperPullUpCmd			Yes
	RTC_TamperSamplingFreqConfig	Configures the Tamper sampling frequency.			Yes
	RTC_TamperPinsPrechargeDuration	Configures the Tampers pins input precharge duration.			Yes
	RTC_TimeStampOnTamperDetectionCmd	Enables or disables the precharge of Tamper pin.			Yes
	RTC_TamperPullUpCmd	Enables or disables the Time-stamp on Tamper detection event.			Yes
11	RTC backup registers functions				
	RTC_WriteBackupRegister	Writes a data in a specified RTC Backup data register	Yes	Yes	Yes
	RTC_ReadBackupRegister	Reads data from the specified RTC Backup data register	Yes	Yes	Yes

Table 15. RTC function groups (continued)

Group ID	Function name	Description	ULPM ⁽¹⁾ density	F2 series	F4 series
12	RTC tamper, timestamp pins selection functions				
	RTC_OutputTypeConfig	Configures the RTC Output pin mode (OpenDrain / PushPull)	Yes	Yes	Yes
	RTC_TimeStampPinSelection	Selects the RTC TimeStamp pin		Yes	Yes
	RTC_TamperPinSelection	Selects the RTC Tamper pin		Yes	Yes
13	RTC Shift control synchronisation				
	RTC_SynchroShiftConfig	Configures the Synchronization Shift Control settings			Yes
14	RTC flags and interrupts functions				
	RTC_ITConfig	Enables or disables the specified RTC interrupts.	Yes	Yes	Yes
	RTC_GetFlagStatus	Checks whether the specified RTC flag is set or not	Yes	Yes	Yes
	RTC_ClearFlag	Clears the RTC pending flags	Yes	Yes	Yes
	RTC_GetITStatus	Checks whether the specified RTC interrupt has occurred or not	Yes	Yes	Yes
	RTC_ClearITPendingBit	Clears the RTC interrupt pending bits	Yes	Yes	Yes

1. Ultra Low Power Medium-density devices.

4 Application examples

The RTC firmware driver is provided with a set of examples so you can quickly become familiar with the RTC peripheral.

This section provides descriptions of examples that are delivered within the STM32F2xx, STM32F4xx and STM32L1xx Standard Peripherals Libraries available from <http://www.st.com/>.

For the STM32F2xx family, the examples can be found in the following directory:
STM32F2xx_StdPeriph_Lib_vX.Y.Z\Project\STM32F2xx_StdPeriph_Examples\RTC

For the STM32L1xx family, the examples can be found in the following directory:
STM32L1xx_StdPeriph_Lib_vX.Y.Z\Project\STM32L1xx_StdPeriph_Examples\RTC

For the STM32F4xx family, the examples can be found in the following directory:
STM32F4xx_StdPeriph_Lib_vX.Y.Z\Project\STM32F4xx_StdPeriph_Examples\RTC

Table 16. Example descriptions

Example	Description	Covered features
RTC Hardware Calendar ⁽¹⁾	<p>This example describes how to use the RTC peripheral calendar features: seconds, minutes, hours (12 or 24 format), day, date, month, and year.</p> <p>As an application example, it demonstrates how to setup the RTC peripheral, in terms of prescaler and interrupts to be used to keep time and to generate alarm interrupt.</p>	<ul style="list-style-type: none"> – Hardware calendar – Alarm (interrupt) – Prescalers – RTC Backup registers
RTC Backup domain ⁽²⁾	<p>This example demonstrates and explains how to use the peripherals available on Backup Domain. These peripherals are the RCC BDCR register containing the LSE oscillator configuration and the RTC Clock enable/disable bits.</p> <p>This example embeds the RTC peripheral and its associated Backup Data registers, and the Backup SRAM (4KB) with its low power regulator (which enables it to preserve its contents when the product is powered by VBAT pin).</p> <p>As an application example, it demonstrates how to setup the RTC hardware calendar, and read/write operations for RTC Backup Data registers and BKPSRAM (Backup SRAM).</p>	<ul style="list-style-type: none"> – RTC Backup registers – Backup SRAM – Low power regulator for Backup SRAM – Hardware calendar – Wakeup (interrupt)
Auto calibration using LSI	<p>This example demonstrates and explains how to use the LSI clock source auto calibration to get a precise RTC clock.</p> <p>The Low Speed Internal (LSI) clock is used as RTC clock source.</p> <p>The RTC WakeUp is configured to generate an interrupt each 1s. The WakeUp counter is clocked by the RTC CK_SPRE signal (1Hz) and its counter is set to zero.</p>	<ul style="list-style-type: none"> – Prescalers – RTC Backup registers – Hardware calendar – Wakeup (interrupt)
Tamper detection	<p>This example shows how to write/read data to/from RTC Backup data registers and demonstrates the Tamper detection feature. It configures the RTC_AF1 pin Tamper to be falling edge, and enables the Tamper interrupt. On applying a low level on the RTC_AF1 pin, the RTC backup data registers are reset and the Tamper interrupt is generated.</p>	<ul style="list-style-type: none"> – Tamper (interrupt) – RTC Backup registers

Example	Description	Covered features
Time Stamp	This example describes how to use the RTC peripheral and the Time Stamp feature. It configures the RTC_AF1 pin TimeStamp to be falling edge and enables the TimeStamp detection. On applying a low level on the RTC_AF1 pin, the calendar is saved in the time-stamp registers thanks to the timestamp event detection.	<ul style="list-style-type: none"> – Time-stamp (interrupt) – Prescalers – Wakeup (interrupt) – Hardware calendar – RTC Backup registers
StopWatch	This example illustrates how to use the STM32F4xx new RTC sub-seconds and Tamper (filter, sampling) features. It simulates a precise chronometer with 10 record time possibilities stored in the Backup registers (10 registers for time (second, minutes and hours) and 10 registers for sub-seconds).	<ul style="list-style-type: none"> – Time-stamp (interrupt) – Tamper (interrupt) – Hardware calendar – RTC Backup registers
RTC Timer	This example provides a short description of how to use the RTC peripherals with Alarm sub-seconds feature to simulate a timer with refresh time equal to 250 ms (1 second/ 8) * 2). The RTC is configured to generate sub-second interrupt every 125ms (8 interrupts per second).	<ul style="list-style-type: none"> – Hardware calendar – Alarm sub-second

1. For Ultra Low Power Medium-density example, Alarm feature is not used.
2. This example is delivered only with F2/4 - series FW examples.

5 Revision history

Table 17. Document revision history

Date	Revision	Changes
20-May-2011	1	Initial release
24-Nov-2011	2	Updated Chapter 1: Overview of the STM32 advanced RTC Updated Figure 1: RTC calendar fields on page 4 Updated Figure 2: Example of calendar display on an LCD on page 5 Updated Figure 5: Prescalers from RTC clock source to calendar unit on page 7 Updated Figure 6: Alarm A fields on page 8 Added Section 1.2.2: Alarm sub-second configuration on page 10 Updated Figure 9: Prescalers connected to the wake up unit for configurations 2 and 3 on page 14 Updated Table 8: Timebase/wakeup unit period resolution with clock configuration 2 on page 14 Updated Section 1.4.1: RTC coarse calibration on page 15 Added Section 1.4.2: RTC smooth calibration on page 16 Added Section 1.5: Synchronizing the RTC on page 17 Updated Figure 14: Time-stamp event procedure on page 19 Added Section 1.8: RTC tamper detection function on page 20 Added Section 1.11.1: RTC_CALIB output on page 24 Updated Figure 18: RTC_CALIB clock sources. on page 25 Added Figure 19: Alarm flag routed to RTC_ALARM output on page 26 Updated Section 1.12.3: RTC clock synchronization on page 28 Added Section 2: Advanced RTC features on page 29 Added STM32F4xx information to Section 3: RTC firmware driver API on page 31 Updated Table 16: Example descriptions on page 39

Please Read Carefully:

Information in this document is provided solely in connection with ST products. STMicroelectronics NV and its subsidiaries ("ST") reserve the right to make changes, corrections, modifications or improvements, to this document, and the products and services described herein at any time, without notice.

All ST products are sold pursuant to ST's terms and conditions of sale.

Purchasers are solely responsible for the choice, selection and use of the ST products and services described herein, and ST assumes no liability whatsoever relating to the choice, selection or use of the ST products and services described herein.

No license, express or implied, by estoppel or otherwise, to any intellectual property rights is granted under this document. If any part of this document refers to any third party products or services it shall not be deemed a license grant by ST for the use of such third party products or services, or any intellectual property contained therein or considered as a warranty covering the use in any manner whatsoever of such third party products or services or any intellectual property contained therein.

UNLESS OTHERWISE SET FORTH IN ST'S TERMS AND CONDITIONS OF SALE ST DISCLAIMS ANY EXPRESS OR IMPLIED WARRANTY WITH RESPECT TO THE USE AND/OR SALE OF ST PRODUCTS INCLUDING WITHOUT LIMITATION IMPLIED WARRANTIES OF MERCHANTABILITY, FITNESS FOR A PARTICULAR PURPOSE (AND THEIR EQUIVALENTS UNDER THE LAWS OF ANY JURISDICTION), OR INFRINGEMENT OF ANY PATENT, COPYRIGHT OR OTHER INTELLECTUAL PROPERTY RIGHT.

UNLESS EXPRESSLY APPROVED IN WRITING BY TWO AUTHORIZED ST REPRESENTATIVES, ST PRODUCTS ARE NOT RECOMMENDED, AUTHORIZED OR WARRANTED FOR USE IN MILITARY, AIR CRAFT, SPACE, LIFE SAVING, OR LIFE SUSTAINING APPLICATIONS, NOR IN PRODUCTS OR SYSTEMS WHERE FAILURE OR MALFUNCTION MAY RESULT IN PERSONAL INJURY, DEATH, OR SEVERE PROPERTY OR ENVIRONMENTAL DAMAGE. ST PRODUCTS WHICH ARE NOT SPECIFIED AS "AUTOMOTIVE GRADE" MAY ONLY BE USED IN AUTOMOTIVE APPLICATIONS AT USER'S OWN RISK.

Resale of ST products with provisions different from the statements and/or technical features set forth in this document shall immediately void any warranty granted by ST for the ST product or service described herein and shall not create or extend in any manner whatsoever, any liability of ST.

ST and the ST logo are trademarks or registered trademarks of ST in various countries.

Information in this document supersedes and replaces all information previously supplied.

The ST logo is a registered trademark of STMicroelectronics. All other names are the property of their respective owners.

© 2011 STMicroelectronics - All rights reserved

STMicroelectronics group of companies

Australia - Belgium - Brazil - Canada - China - Czech Republic - Finland - France - Germany - Hong Kong - India - Israel - Italy - Japan - Malaysia - Malta - Morocco - Philippines - Singapore - Spain - Sweden - Switzerland - United Kingdom - United States of America

www.st.com